

NOTES:
 1. UNLESS OTHERWISE NOTED:
 - OVERLASH NEW FIBER OPTIC CABLE TO EXISTING COMMUNICATIONS CABLE.
 - ATTACH NEW MESSENGER CABLE 40" BELOW POWER.
 - ATTACH ON FRONT SIDE (FS) OF POLE.
 2. SEAL ALL CONDUIT ENDS WITH DUCT AND CONDUIT SEALER AT ALL JUNCTION BOX / CABINET ENTRANCES.

1	INSTALL CATEGORY 6 CABLE	11	INSTALL RIGID, GALVANIZED STEEL RISER WITH WEATHERHEAD	22	INSTALL NEW CONDUIT INTO CABINET BASE (USE EX CABINET ENTRANCE WHEN AVAILABLE)	32	MODIFY EXISTING SPLICE ENCLOSURE OR INTERCONNECT CENTER	43	REMOVE EXISTING WOOD POLE	54	LASH CABLE(S) TO EXISTING SIGNAL/COMMUNICATIONS CABLE	66	BOND RISER TO POLE GROUND
2	INSTALL 3-WIRE COPPER SERVICE ENTRANCE CONDUCTORS	12	INSTALL RIGID, GALVANIZED STEEL RISER WITH HEAT SHRINK TUBING	23	INSTALL NEW RISER INTO CABINET BASE (USE EX CABINET ENTRANCE WHEN AVAILABLE)	33	REMOVE EXISTING SPLICE /HUB / CCTV CABINET	44	INSTALL AERIAL GUY ASSEMBLY	55	LASH CABLE(S) TO EXISTING MESSENGER CABLE	67	BOND TRACER WIRE TO EQUIPMENT GROUND BUS
3	INSTALL 3-WIRE COPPER FEEDER CONDUCTORS	13	INSTALL HEAT SHRINK TUBING RETROFIT KIT	24	INSTALL NEW CONDUIT INTO POLE MOUNTED CABINET	34	INSTALL CABINET FOUNDATION	45	INSTALL STANDARD GUY ASSEMBLY	56	LASH CABLE(S) TO NEW MESSENGER CABLE	68	NOT USED
4	INSTALL SMFO CABLE	14	INSTALL HIGH DENSITY POLYETHYLENE CONDUIT	25	INSTALL NEW RISER INTO POLE MOUNTED CABINET	35	REMOVE EXISTING CABINET FOUNDATION	46	INSTALL SIDEWALK GUY ASSEMBLY	57	MODIFY EXISTING ELECTRICAL SERVICE	69	HANDLASH AND INSTALL AERIAL CABLE PROTECTOR
5	INSTALL COAXIAL ANTENNA CABLE	15	DIRECTIONAL DRILL CONDUIT	26	INSTALL DIGITAL VIDEO ENCODER	36	INSTALL CCTV CAMERA ASSEMBLY	47	INSTALL MESSENGER CABLE	58	INSTALL NEW ELECTRICAL SERVICE	70	INSTALL EQUIPMENT CABINET DISCONNECT
6	INSTALL FIBER-OPTIC DROP CABLE	16	BORE AND JACK CONDUIT	27	INSTALL NEW ETHERNET EDGE SWITCH IN CABINET	37	INSTALL CCTV CAMERA WOOD POLE	48	REMOVE EXISTING COMMUNICATIONS CABLE AND MESSENGER CABLE	59	INSTALL NEW POLE MOUNTED CCTV CABINET (336)	71	INSTALL MANAGED ETHERNET SWITCH
7	INSTALL TRACER WIRE	17	INSTALL CABLE(S) IN EXISTING CONDUIT	28	INSTALL INTERCONNECT CENTER, PATCH PANEL, JUMPERS, AND FUSION SPLICE CABLE IN CABINET	38	INSTALL STANDARD SIZE JUNCTION BOX	49	REMOVE EXISTING COMMUNICATIONS CABLE	60	INSTALL NEW CCTV CABINET (NEMA TYPE 4)	72	INSTALL CCTV METAL POLE
8	INSTALL CONDUIT UNDERGROUND	18	INSTALL CABLE(S) IN NEW CONDUIT	29	INSTALL UNDERGROUND SPLICE ENCLOSURE	39	INSTALL SPECIAL-SIZED JUNCTION BOX (36" x 24" x 24")	50	INSTALL SERVICE CONDUCTORS	61	REMOVE EXISTING CCTV CAMERA ASSEMBLY	73	REMOVE EXISTING CCTV METAL POLE
9	INSTALL PVC CONDUIT	19	INSTALL CABLE(S) IN EXISTING RISER(S)	30	INSTALL AERIAL SPLICE ENCLOSURE	40	INSTALL OVER-SIZED JUNCTION BOX	51	INSTALL CABLE STORAGE GUIDE(S) (SNOW SHOE(S) AND STORE 100 FEET OF EACH CABLE)	62	NEW CABINET ENTRANCE INTO NEW FOUNDATION	74	REMOVE WIRELESS COMMUNICATIONS EQUIPMENT
10	INSTALL RIGID, GALVANIZED STEEL CONDUIT	20	INSTALL CABLE(S) IN NEW RISER(S)	31	INSTALL TYPE 332 HUB CABINET	41	REMOVE EXISTING JUNCTION BOX	52A	INSTALL DELINEATOR MARKER	63	DRILL/CORE DRILL EXISTING FOUNDATION	75	BACKPULL AND COIL NCDOT ITS CABLE
						42	INSTALL WOOD POLE	52B	INSTALL JUNCTION BOX MARKER	64	INTERCEPT AND REROUTE EXISTING CONDUITS	76	INSTALL HUB SWITCH
								53	STORE 30' OF COMMUNICATIONS CABLE (EACH CABLE)	65	BOND MESSENGER TO POLE GROUND	77	INSTALL CELLULAR MODEM

ATTACHMENT POINT:
 XXX DISTANCE ABOVE (IN) REFERENCE POINT
 YYY REFERENCE POINT
 YYY REFERENCE POINT DISTANCE BELOW (IN) XXX

CONSTRUCTION NOTE SYMBOLOGY KEY

NUMBER OF CABLE(S)/LOOPS, DETECTOR, AMPLIFIERS, GUYS, ANTENNAS: XX
 NUMBER OF FIBER/TWISTED PAIRS: XX
 NUMBER OF RISER(S)/CONDUIT(S): XX
 DIAMETER OF RISER(S)/CONDUIT(S) (IN): XX

ATKINS 1616 EAST MILLBROOK ROAD, SUITE 160 RALEIGH, NORTH CAROLINA 27609 (919) 876-6888 NCBEE #F-0326

DOCUMENT NOT CONSIDERED FINAL UNLESS ALL SIGNATURES COMPLETED

Prepared for the Offices of:

Fuquay-Varina Signal System Cable Routing Plans

Division 5 Wake County Fuquay-Varina
 PLAN DATE: June 2022 REVIEWED BY: MB Toth
 PREPARED BY: JT Stiff REVIEWED BY: AM Encarnacion

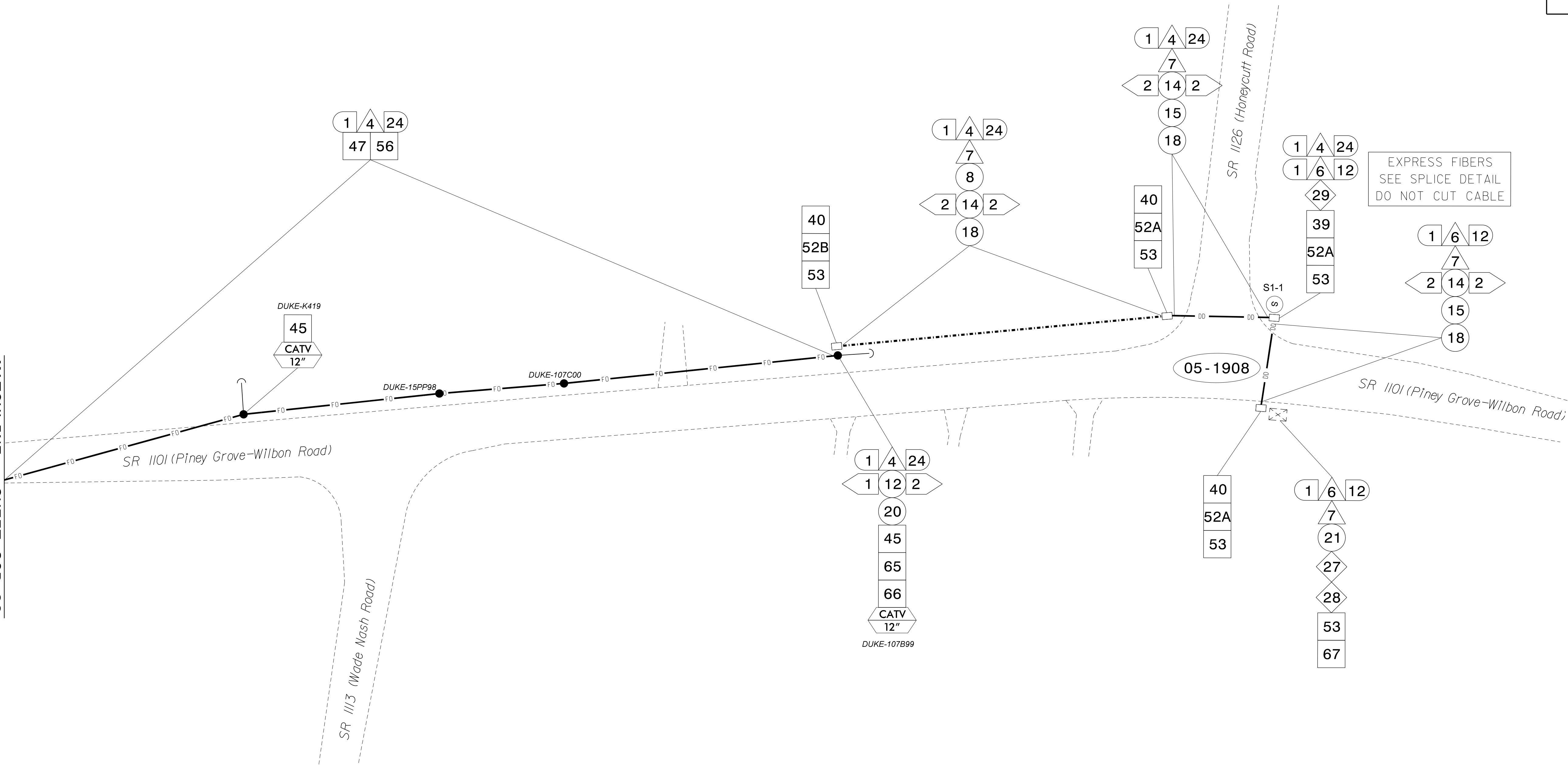
750 Greenfield Parkway, Garner, NC 27529
 SCALE: 1"=50'

Revisions table with columns: REVISIONS, INIT., DATE

Anthony Encarnacion 4/14/2023
 SEAL 044476
 CADD File name: CL-81.dgn

16-MAR-2023 17:02
 S:\Projects\2023\Projects\100063268 Fuquay Varina\Task 11_CL/CL-81.dgn
 AT LUS91089

MATCHLINE - SHEET SCP-92



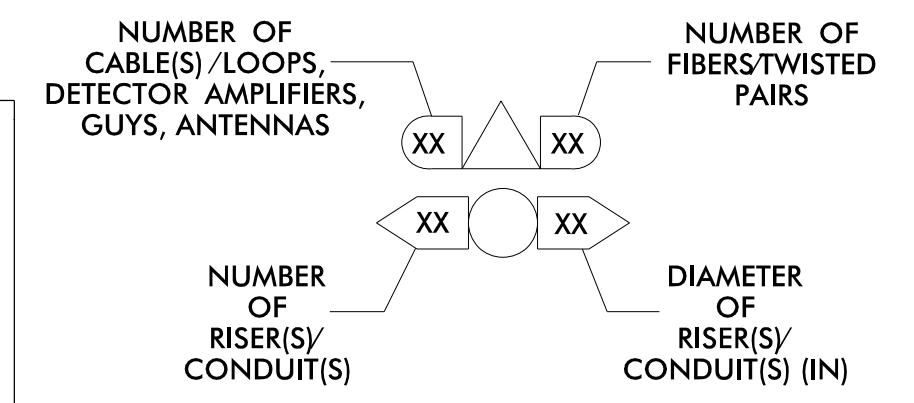
EXPRESS FIBERS
SEE SPLICE DETAIL
DO NOT CUT CABLE

NOTES:

- 1. UNLESS OTHERWISE NOTED:
- OVERLASH NEW FIBER OPTIC CABLE TO EXISTING COMMUNICATIONS CABLE.
- ATTACH NEW MESSENGER CABLE 40" BELOW POWER.
- ATTACH ON FRONT SIDE (FS) OF POLE.
2. SEAL ALL CONDUIT ENDS WITH DUCT AND CONDUIT SEALER AT ALL JUNCTION BOX / CABINET ENTRANCES.

Table with 10 columns and 10 rows of notes detailing installation instructions for various cable types, conduits, and equipment like risers, enclosures, and junction boxes.

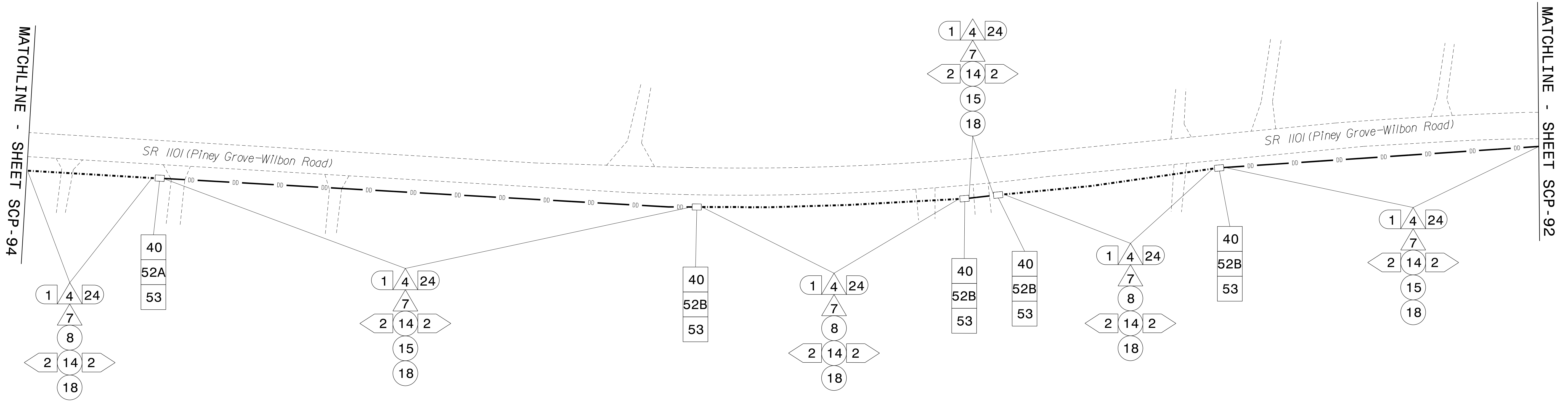
ATTACHMENT POINT:
XXX DISTANCE ABOVE (IN) REFERENCE POINT
YYY REFERENCE POINT DISTANCE BELOW (IN)
CONSTRUCTION NOTE SYMBOLGY KEY



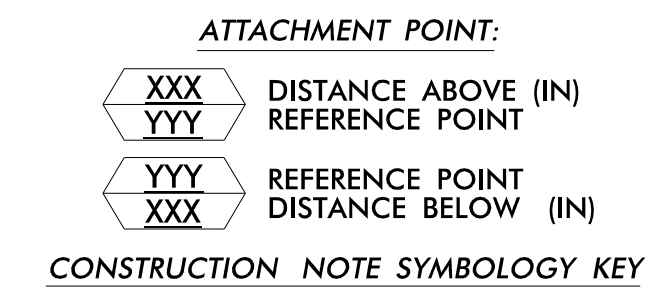
ATKINS 1616 EAST MILLBROOK ROAD, SUITE 160 RALEIGH, NORTH CAROLINA 27609 (919) 876-8888 NGBEES #F-0326

Professional seal for Anthony Encarnacion, Engineer, State of North Carolina. Includes project title 'Fuquay-Varina Signal System Cable Routing Plans', date 'June 2022', and scale '1\"/>

16-MB-2023-17-03
C:\Users\jstiff\OneDrive\Documents\Roads and Bridges\Projects\100063268_Fuquay_Var\ncr\Task_11_CL\CL-86.dgn
DATE: 4/14/2023



- NOTES:**
- UNLESS OTHERWISE NOTED:
 - OVERLASH NEW FIBER OPTIC CABLE TO EXISTING COMMUNICATIONS CABLE.
 - ATTACH NEW MESSENGER CABLE 40" BELOW POWER.
 - ATTACH ON FRONT SIDE (FS) OF POLE.
 - SEAL ALL CONDUIT ENDS WITH DUCT AND CONDUIT SEALER AT ALL JUNCTION BOX / CABINET ENTRANCES.



1	INSTALL CATEGORY 6 CABLE	11	INSTALL RIGID, GALVANIZED STEEL RISER WITH WEATHERHEAD	22	INSTALL NEW CONDUIT INTO CABINET BASE (USE EX CABINET ENTRANCE WHEN AVAILABLE)	32	MODIFY EXISTING SPLICE ENCLOSURE OR INTERCONNECT CENTER	43	REMOVE EXISTING WOOD POLE	54	LASH CABLE(S) TO EXISTING SIGNAL/COMMUNICATIONS CABLE	66	BOND RISER TO POLE GROUND
2	INSTALL 3-WIRE COPPER SERVICE ENTRANCE CONDUCTORS	12	INSTALL RIGID, GALVANIZED STEEL RISER WITH HEAT SHRINK TUBING	23	INSTALL NEW RISER INTO CABINET BASE (USE EX CABINET ENTRANCE WHEN AVAILABLE)	33	REMOVE EXISTING SPLICE /HUB / CCTV CABINET	44	INSTALL AERIAL GUY ASSEMBLY	55	LASH CABLE(S) TO EXISTING MESSENGER CABLE	67	BOND TRACER WIRE TO EQUIPMENT GROUND BUS
3	INSTALL 3-WIRE COPPER FEEDER CONDUCTORS	13	INSTALL HEAT SHRINK TUBING RETROFIT KIT	24	INSTALL NEW CONDUIT INTO POLE MOUNTED CABINET	34	INSTALL CABINET FOUNDATION	45	INSTALL STANDARD GUY ASSEMBLY	56	LASH CABLE(S) TO NEW MESSENGER CABLE	68	NOT USED
4	INSTALL SMFO CABLE	14	INSTALL HIGH DENSITY POLYETHYLENE CONDUIT	25	INSTALL NEW RISER INTO POLE MOUNTED CABINET	35	REMOVE EXISTING CABINET FOUNDATION	46	INSTALL SIDEWALK GUY ASSEMBLY	57	MODIFY EXISTING ELECTRICAL SERVICE	69	HANDLASH AND INSTALL AERIAL CABLE PROTECTOR
5	INSTALL COAXIAL ANTENNA CABLE	15	DIRECTIONAL DRILL CONDUIT	26	INSTALL DIGITAL VIDEO ENCODER	36	INSTALL CCTV CAMERA ASSEMBLY	47	INSTALL MESSENGER CABLE	58	INSTALL NEW ELECTRICAL SERVICE	70	INSTALL EQUIPMENT CABINET DISCONNECT
6	INSTALL FIBER-OPTIC DROP CABLE	16	BORE AND JACK CONDUIT	27	INSTALL NEW ETHERNET EDGE SWITCH IN CABINET	37	INSTALL CCTV CAMERA WOOD POLE	48	REMOVE EXISTING COMMUNICATIONS CABLE AND MESSENGER CABLE	59	INSTALL NEW POLE MOUNTED CCTV CABINET (336)	71	INSTALL MANAGED ETHERNET SWITCH
7	INSTALL TRACER WIRE	17	INSTALL CABLE(S) IN EXISTING CONDUIT	28	INSTALL INTERCONNECT CENTER, PATCH PANEL, JUMPERS, AND FUSION SPLICE CABLE IN CABINET	38	INSTALL STANDARD SIZE JUNCTION BOX	49	REMOVE EXISTING COMMUNICATIONS CABLE	60	INSTALL NEW CCTV CABINET (NEMA TYPE 4)	72	INSTALL CCTV METAL POLE
8	INSTALL CONDUIT UNDERGROUND	18	INSTALL CABLE(S) IN NEW CONDUIT	29	INSTALL UNDERGROUND SPLICE ENCLOSURE	39	INSTALL SPECIAL-SIZED JUNCTION BOX (36" x 24" x 24")	50	INSTALL SERVICE CONDUCTORS	61	REMOVE EXISTING CCTV CAMERA ASSEMBLY	73	REMOVE EXISTING CCTV METAL POLE
9	INSTALL PVC CONDUIT	19	INSTALL CABLE(S) IN EXISTING RISER(S)	30	INSTALL AERIAL SPLICE ENCLOSURE	40	INSTALL OVER-SIZED JUNCTION BOX	51	INSTALL CABLE STORAGE GUIDE(S) (SNOW SHOE(S)) AND STORE 100 FEET OF EACH CABLE	62	NEW CABINET ENTRANCE INTO NEW FOUNDATION	74	REMOVE WIRELESS COMMUNICATIONS EQUIPMENT
10	INSTALL RIGID, GALVANIZED STEEL CONDUIT	20	INSTALL CABLE(S) IN NEW RISER(S)	31	INSTALL TYPE 332 HUB CABINET	41	REMOVE EXISTING JUNCTION BOX	52A	INSTALL DELINEATOR MARKER	63	DRILL/CORE DRILL EXISTING FOUNDATION	75	BACKPULL AND COIL NCDOT ITS CABLE
						42	INSTALL WOOD POLE	52B	INSTALL JUNCTION BOX MARKER	64	INTERCEPT AND REROUTE EXISTING CONDUITS	76	INSTALL HUB SWITCH
								53	STORE 30' OF COMMUNICATIONS CABLE (EACH CABLE)	65	BOND MESSENGER TO POLE GROUND	77	INSTALL CELLULAR MODEM

ATKINS 1616 EAST MILLBROOK ROAD, SUITE 160
RALEIGH, NORTH CAROLINA 27609
(919) 876-8888 NCBES #F-0326

Prepared for the Offices of:

DOCUMENT NOT CONSIDERED FINAL UNLESS ALL SIGNATURES COMPLETED

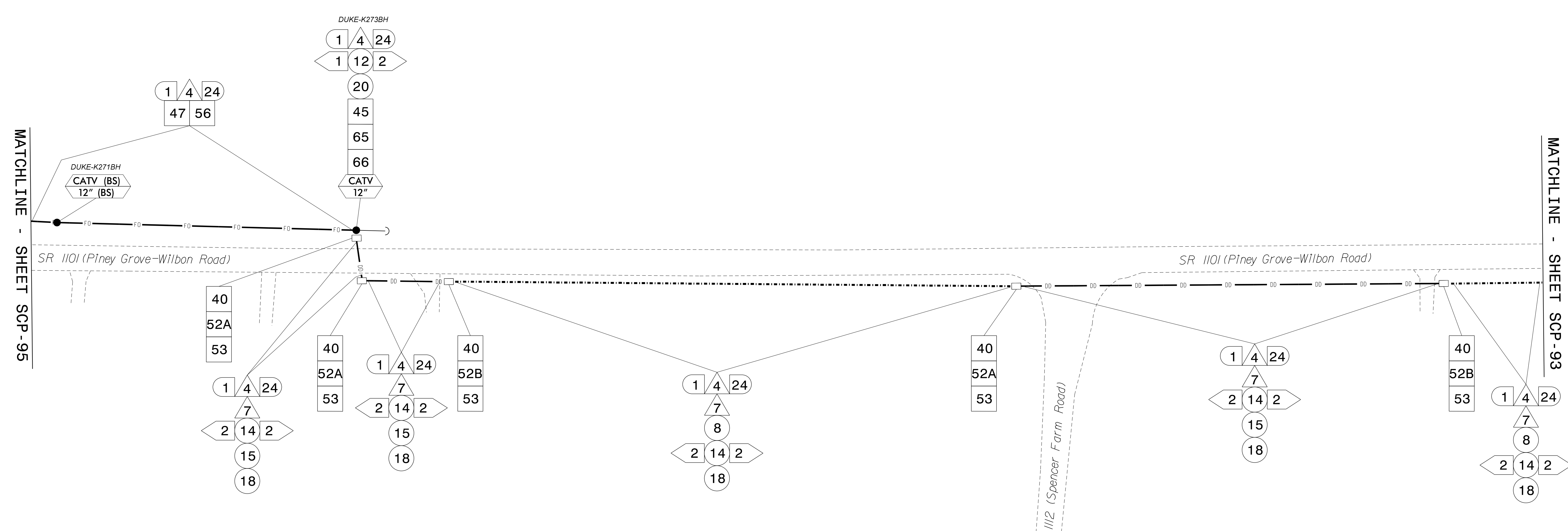
Fuquay-Varina Signal System Cable Routing Plans	
Division 5	Wake County Fuquay-Varina
PLAN DATE: June 2022	REVIEWED BY: MB Toth
PREPARED BY: JT Stiff	REVIEWED BY: AM Encarnacion
REVISIONS	INIT. DATE

SCALE: 1"=50'

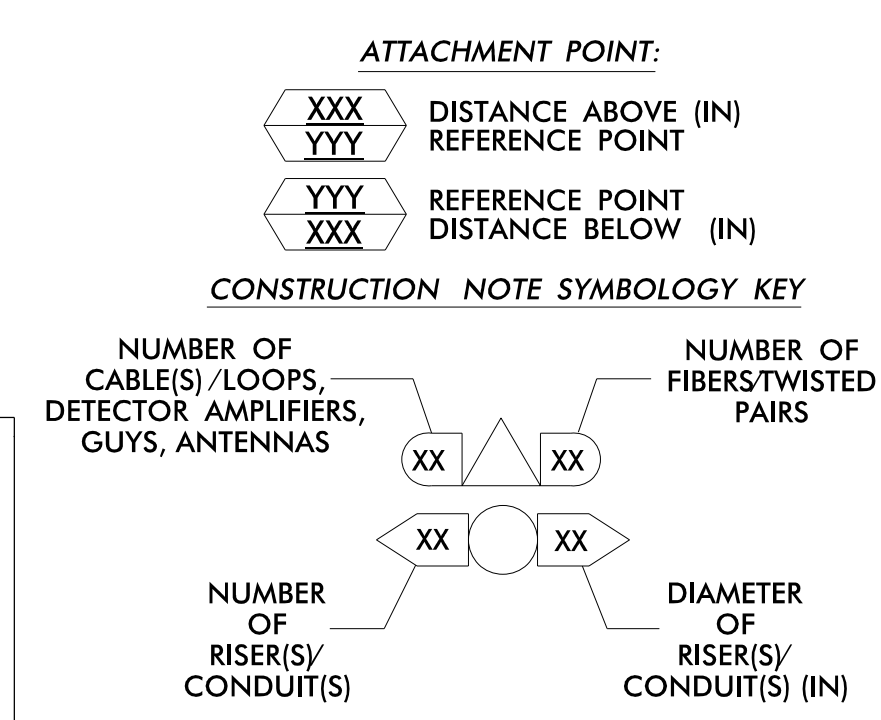
4/14/2023
Anthony Encarnacion
DATE

CADD File name: CL-88.dgn

16-MAR-2023 11:03
 I:\Projects\15100000000000000000\Projects\Roads and Bridges\Projects\100063268_Fuquay_Varina\Task 11_CL/CL-88.dgn
 STIFF\685 AT LUS91089



- NOTES:**
- UNLESS OTHERWISE NOTED:
 - OVERLASH NEW FIBER OPTIC CABLE TO EXISTING COMMUNICATIONS CABLE.
 - ATTACH NEW MESSENGER CABLE 40" BELOW POWER.
 - ATTACH ON FRONT SIDE (FS) OF POLE.
 - SEAL ALL CONDUIT ENDS WITH DUCT AND CONDUIT SEALER AT ALL JUNCTION BOX / CABINET ENTRANCES.



1 INSTALL CATEGORY 6 CABLE	11 INSTALL RIGID, GALVANIZED STEEL RISER WITH WEATHERHEAD	22 INSTALL NEW CONDUIT INTO CABINET BASE (USE EX CABINET ENTRANCE WHEN AVAILABLE)	32 MODIFY EXISTING SPLICE ENCLOSURE OR INTERCONNECT CENTER	43 REMOVE EXISTING WOOD POLE	54 LASH CABLE(S) TO EXISTING SIGNAL/COMMUNICATIONS CABLE	66 BOND RISER TO POLE GROUND
2 INSTALL 3-WIRE COPPER SERVICE ENTRANCE CONDUCTORS	12 INSTALL RIGID, GALVANIZED STEEL RISER WITH HEAT SHRINK TUBING	23 INSTALL NEW RISER INTO CABINET BASE (USE EX CABINET ENTRANCE WHEN AVAILABLE)	33 REMOVE EXISTING SPLICE / HUB / CCTV CABINET	44 INSTALL AERIAL GUY ASSEMBLY	55 LASH CABLE(S) TO EXISTING MESSENGER CABLE	67 BOND TRACER WIRE TO EQUIPMENT GROUND BUS
3 INSTALL 3-WIRE COPPER FEEDER CONDUCTORS	13 INSTALL HEAT SHRINK TUBING RETROFIT KIT	24 INSTALL NEW CONDUIT INTO POLE MOUNTED CABINET	34 INSTALL CABINET FOUNDATION	45 INSTALL STANDARD GUY ASSEMBLY	56 LASH CABLE(S) TO NEW MESSENGER CABLE	68 NOT USED
4 INSTALL SMFO CABLE	14 INSTALL HIGH DENSITY POLYETHYLENE CONDUIT	25 INSTALL NEW RISER INTO POLE MOUNTED CABINET	35 REMOVE EXISTING CABINET FOUNDATION	46 INSTALL SIDEWALK GUY ASSEMBLY	57 MODIFY EXISTING ELECTRICAL SERVICE	69 HANDLASH AND INSTALL AERIAL CABLE PROTECTOR
5 INSTALL COAXIAL ANTENNA CABLE	15 DIRECTIONAL DRILL CONDUIT	26 INSTALL DIGITAL VIDEO ENCODER	36 INSTALL CCTV CAMERA ASSEMBLY	47 INSTALL MESSENGER CABLE	58 INSTALL NEW ELECTRICAL SERVICE	70 INSTALL EQUIPMENT CABINET DISCONNECT
6 INSTALL FIBER-OPTIC DROP CABLE	16 BORE AND JACK CONDUIT	27 INSTALL NEW ETHERNET EDGE SWITCH IN CABINET	37 INSTALL CCTV CAMERA WOOD POLE	48 REMOVE EXISTING COMMUNICATIONS CABLE AND MESSENGER CABLE	59 INSTALL NEW POLE MOUNTED CCTV CABINET (336)	71 INSTALL MANAGED ETHERNET SWITCH
7 INSTALL TRACER WIRE	17 INSTALL CABLE(S) IN EXISTING CONDUIT	28 INSTALL INTERCONNECT CENTER, PATCH PANEL, JUMPERS, AND FUSION SPLICE CABLE IN CABINET	38 INSTALL STANDARD SIZE JUNCTION BOX	49 REMOVE EXISTING COMMUNICATIONS CABLE	60 INSTALL NEW CCTV CABINET (NEMA TYPE 4)	72 INSTALL CCTV METAL POLE
8 INSTALL CONDUIT UNDERGROUND	18 INSTALL CABLE(S) IN NEW CONDUIT	29 INSTALL UNDERGROUND SPLICE ENCLOSURE	39 INSTALL SPECIAL-SIZED JUNCTION BOX (36" x 24" x 24")	50 INSTALL SERVICE CONDUCTORS	61 REMOVE EXISTING CCTV CAMERA ASSEMBLY	73 REMOVE EXISTING CCTV METAL POLE
9 INSTALL PVC CONDUIT	19 INSTALL CABLE(S) IN EXISTING RISER(S)	30 INSTALL AERIAL SPLICE ENCLOSURE	40 INSTALL OVER-SIZED JUNCTION BOX	51 INSTALL CABLE STORAGE GUIDE(S) [SNOW SHOE(S)] AND STORE 100 FEET OF EACH CABLE	62 NEW CABINET ENTRANCE INTO NEW FOUNDATION	74 REMOVE WIRELESS COMMUNICATIONS EQUIPMENT
10 INSTALL RIGID, GALVANIZED STEEL CONDUIT	20 INSTALL CABLE(S) IN NEW RISER(S)	31 INSTALL TYPE 332 HUB CABINET	41 REMOVE EXISTING JUNCTION BOX	52A INSTALL DELINEATOR MARKER	63 DRILL/CORE DRILL EXISTING FOUNDATION	75 BACKPULL AND COIL NCDOT ITS CABLE
			42 INSTALL WOOD POLE	52B INSTALL JUNCTION BOX MARKER	64 INTERCEPT AND REROUTE EXISTING CONDUITS	76 INSTALL HUB SWITCH
				53 STORE 30' OF COMMUNICATIONS CABLE (EACH CABLE)	65 BOND MESSENGER TO POLE GROUND	77 INSTALL CELLULAR MODEM

ATKINS 1616 EAST MILLBROOK ROAD, SUITE 160 RALEIGH, NORTH CAROLINA 27609 (919) 876-6888 NCBES #F-0326

DOCUMENT NOT CONSIDERED FINAL UNLESS ALL SIGNATURES COMPLETED

Prepared for the Offices of:

Fuquay-Varina Signal System Cable Routing Plans

Division 5 Wake County Fuquay-Varina

PLAN DATE: June 2022 REVIEWED BY: MB Toth

PREPARED BY: JT Stiff REVIEWED BY: AM Encarnacion

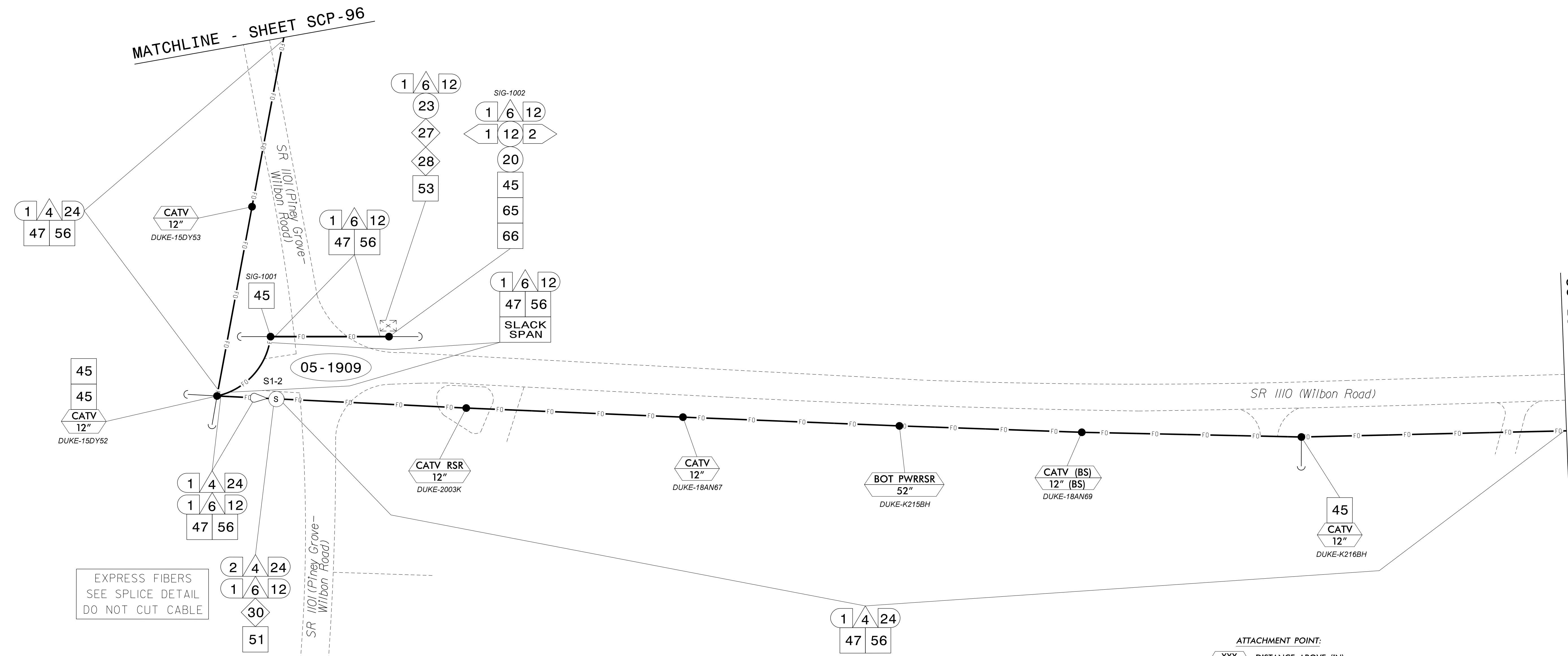
REVISIONS: INIT. DATE

SCALE: 0 50 1"=50'

Seal:

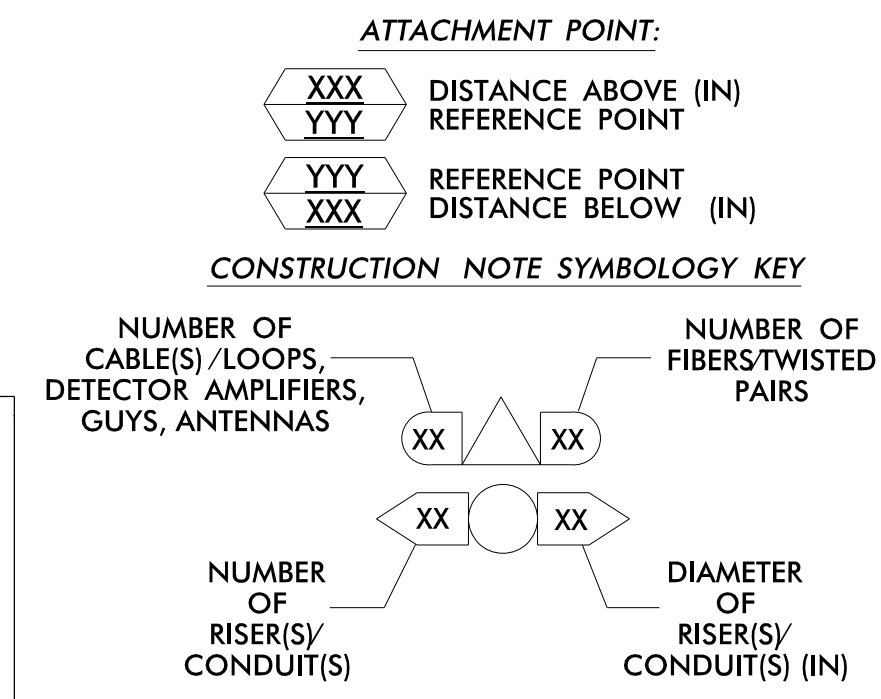
4/14/2023
 DATE
 CADD File name: CL-89.dgn

16-MAR-2023 17:03
 S:\Projects\100063268 Fuquay Varina\Task 11_CL\CL-89.dgn
 Br:\dges\Projects\100063268 Fuquay Varina\Task 11_CL\CL-89.dgn
 16-MAR-2023 17:03
 S:\Projects\100063268 Fuquay Varina\Task 11_CL\CL-89.dgn
 Br:\dges\Projects\100063268 Fuquay Varina\Task 11_CL\CL-89.dgn



EXPRESS FIBERS
SEE SPLICE DETAIL
DO NOT CUT CABLE

- NOTES:**
- UNLESS OTHERWISE NOTED:
 - OVERLASH NEW FIBER OPTIC CABLE TO EXISTING COMMUNICATIONS CABLE.
 - ATTACH NEW MESSENGER CABLE 40" BELOW POWER.
 - ATTACH ON FRONT SIDE (FS) OF POLE.
 - SEAL ALL CONDUIT ENDS WITH DUCT AND CONDUIT SEALER AT ALL JUNCTION BOX / CABINET ENTRANCES.



1	INSTALL CATEGORY 6 CABLE	11	INSTALL RIGID, GALVANIZED STEEL RISER WITH WEATHERHEAD	22	INSTALL NEW CONDUIT INTO CABINET BASE (USE EX CABINET ENTRANCE WHEN AVAILABLE)	32	MODIFY EXISTING SPLICE ENCLOSURE OR INTERCONNECT CENTER	43	REMOVE EXISTING WOOD POLE	54	LASH CABLE(S) TO EXISTING SIGNAL/COMMUNICATIONS CABLE	66	BOND RISER TO POLE GROUND
2	INSTALL 3-WIRE COPPER SERVICE ENTRANCE CONDUCTORS	12	INSTALL RIGID, GALVANIZED STEEL RISER WITH HEAT SHRINK TUBING	23	INSTALL NEW RISER INTO CABINET BASE (USE EX CABINET ENTRANCE WHEN AVAILABLE)	33	REMOVE EXISTING SPLICE / HUB / CCTV CABINET	44	INSTALL AERIAL GUY ASSEMBLY	55	LASH CABLE(S) TO EXISTING MESSENGER CABLE	67	BOND TRACER WIRE TO EQUIPMENT GROUND BUS
3	INSTALL 3-WIRE COPPER FEEDER CONDUCTORS	13	INSTALL HEAT SHRINK TUBING RETROFIT KIT	24	INSTALL NEW CONDUIT INTO POLE MOUNTED CABINET	34	INSTALL CABINET FOUNDATION	45	INSTALL STANDARD GUY ASSEMBLY	56	LASH CABLE(S) TO NEW MESSENGER CABLE	68	NOT USED
4	INSTALL SMFO CABLE	14	INSTALL HIGH DENSITY POLYETHYLENE CONDUIT	25	INSTALL NEW RISER INTO POLE MOUNTED CABINET	35	REMOVE EXISTING CABINET FOUNDATION	46	INSTALL SIDEWALK GUY ASSEMBLY	57	MODIFY EXISTING ELECTRICAL SERVICE	69	HANDLASH AND INSTALL AERIAL CABLE PROTECTOR
5	INSTALL COAXIAL ANTENNA CABLE	15	DIRECTIONAL DRILL CONDUIT	26	INSTALL DIGITAL VIDEO ENCODER	36	INSTALL CCTV CAMERA ASSEMBLY	47	INSTALL MESSENGER CABLE	58	INSTALL NEW ELECTRICAL SERVICE	70	INSTALL EQUIPMENT CABINET DISCONNECT
6	INSTALL FIBER-OPTIC DROP CABLE	16	BORE AND JACK CONDUIT	27	INSTALL NEW ETHERNET EDGE SWITCH IN CABINET	37	INSTALL CCTV CAMERA WOOD POLE	48	REMOVE EXISTING COMMUNICATIONS CABLE AND MESSENGER CABLE	59	INSTALL NEW POLE MOUNTED CCTV CABINET (336)	71	INSTALL MANAGED ETHERNET SWITCH
7	INSTALL TRACER WIRE	17	INSTALL CABLE(S) IN EXISTING CONDUIT	28	INSTALL INTERCONNECT CENTER, PATCH PANEL, JUMPERS, AND FUSION SPLICE CABLE IN CABINET	38	INSTALL STANDARD SIZE JUNCTION BOX	49	REMOVE EXISTING COMMUNICATIONS CABLE	60	INSTALL NEW CCTV CABINET (NEMA TYPE 4)	72	INSTALL CCTV METAL POLE
8	INSTALL CONDUIT UNDERGROUND	18	INSTALL CABLE(S) IN NEW CONDUIT	29	INSTALL UNDERGROUND SPLICE ENCLOSURE	39	INSTALL SPECIAL-SIZED JUNCTION BOX (36" x 24" x 24")	50	INSTALL SERVICE CONDUCTORS	61	REMOVE EXISTING CCTV CAMERA ASSEMBLY	73	REMOVE EXISTING CCTV METAL POLE
9	INSTALL PVC CONDUIT	19	INSTALL CABLE(S) IN EXISTING RISER(S)	30	INSTALL AERIAL SPLICE ENCLOSURE	40	INSTALL OVER-SIZED JUNCTION BOX	51	INSTALL CABLE STORAGE GUIDE(S) (SNOW SHOE(S)) AND STORE 100 FEET OF EACH CABLE	62	NEW CABINET ENTRANCE INTO NEW FOUNDATION	74	REMOVE WIRELESS COMMUNICATIONS EQUIPMENT
10	INSTALL RIGID, GALVANIZED STEEL CONDUIT	21	INSTALL CABLE(S) IN EXISTING CABINET ENTRANCE	31	INSTALL TYPE 332 HUB CABINET	41	REMOVE EXISTING JUNCTION BOX	52A	INSTALL DELINEATOR MARKER	63	DRILL/CORE DRILL EXISTING FOUNDATION	75	BACKPULL AND COIL NCDOT ITS CABLE
						42	INSTALL WOOD POLE	52B	INSTALL JUNCTION BOX MARKER	76	INSTALL HUB SWITCH		
								53	STORE 30' OF COMMUNICATIONS CABLE (EACH CABLE)	77	INSTALL CELLULAR MODEM		

ATKINS 1616 EAST MILLBROOK ROAD, SUITE 160 RALEIGH, NORTH CAROLINA 27609 (919) 876-6888 NCBEES #F-0326

Division 5 Wake County Fuquay-Varina

PLAN DATE: June 2022 REVIEWED BY: MB Toth

PREPARED BY: JT Stiff REVIEWED BY: AM Encarnacion

REVISIONS INIT. DATE

SCALE 0 50 1"=50'

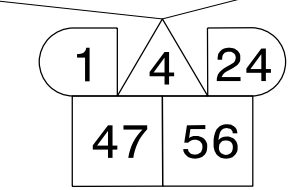
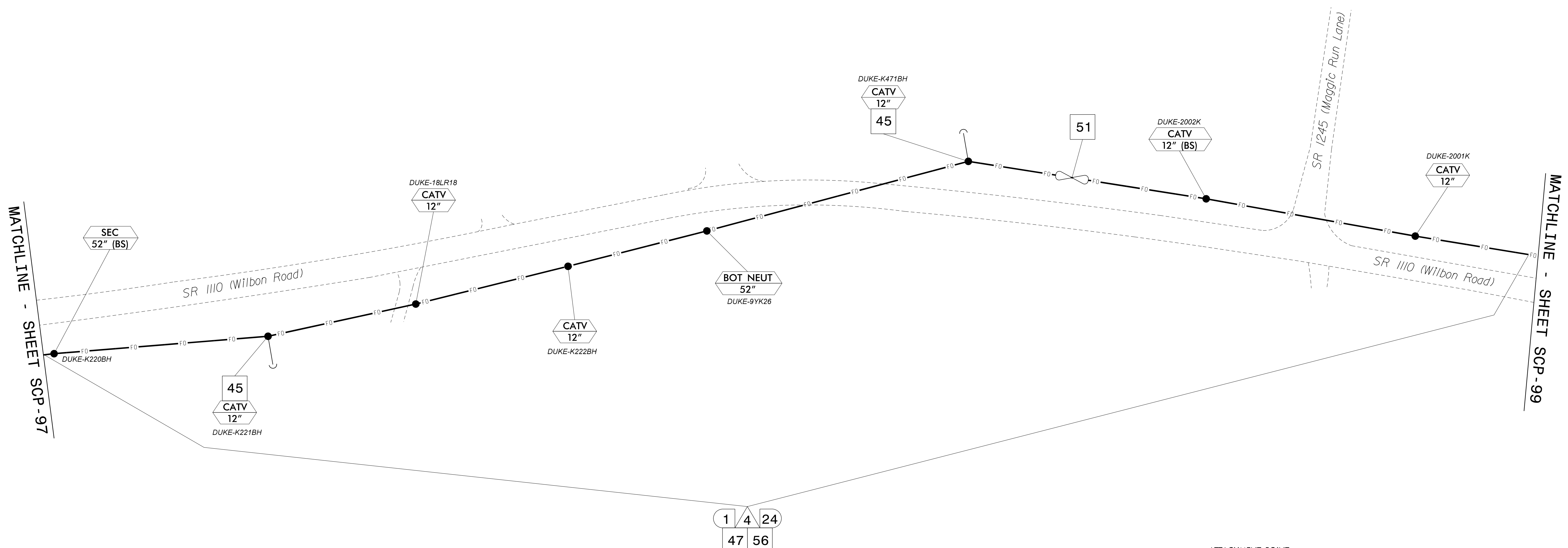
Seal: ANTHONY M. ENCARNACION, PROFESSIONAL ENGINEER, SEAL 044476

4/14/2023

CADD File Name: CL-92.dgn

DOCUMENT NOT CONSIDERED FINAL UNLESS ALL SIGNATURES COMPLETED

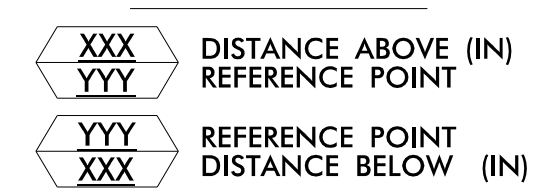
16-MAR-2023 11:04 AM //S:\ED03034510\h:\s-com\ATKINS\01\Documents\Roads and Bridges\Projects\100063268 Fuquay Varina\Task 11_CL/CL-92.dgn



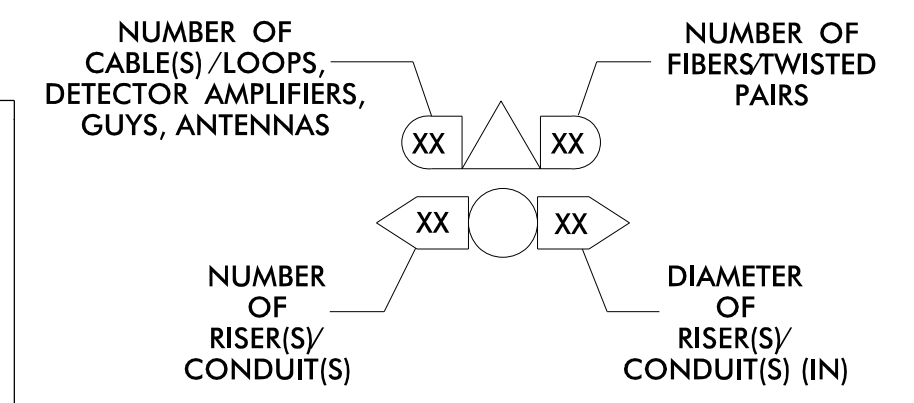
NOTES:

- UNLESS OTHERWISE NOTED:
 - OVERLASH NEW FIBER OPTIC CABLE TO EXISTING COMMUNICATIONS CABLE.
 - ATTACH NEW MESSENGER CABLE 40" BELOW POWER.
 - ATTACH ON FRONT SIDE (FS) OF POLE.
- SEAL ALL CONDUIT ENDS WITH DUCT AND CONDUIT SEALER AT ALL JUNCTION BOX / CABINET ENTRANCES.

ATTACHMENT POINT:

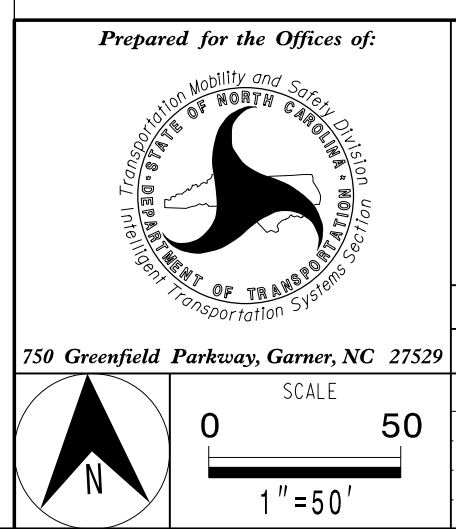


CONSTRUCTION NOTE SYMBOLY KEY



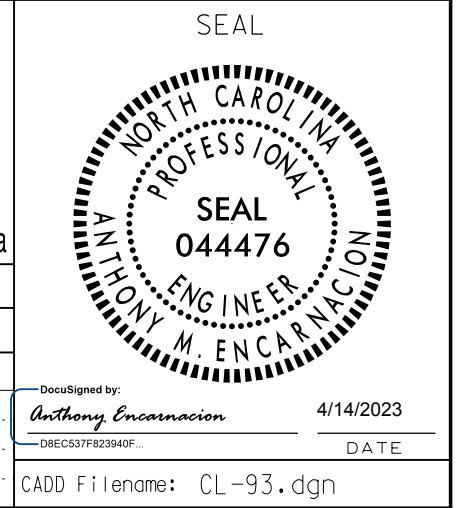
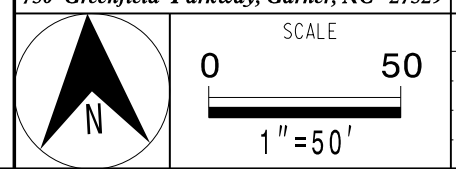
ATKINS 1616 EAST MILLBROOK ROAD, SUITE 160
 RALEIGH, NORTH CAROLINA 27609
 (919) 876-8888 NGBEES #F-0326

DOCUMENT NOT CONSIDERED FINAL UNLESS ALL SIGNATURES COMPLETED



Fuquay-Varina Signal System Cable Routing Plans

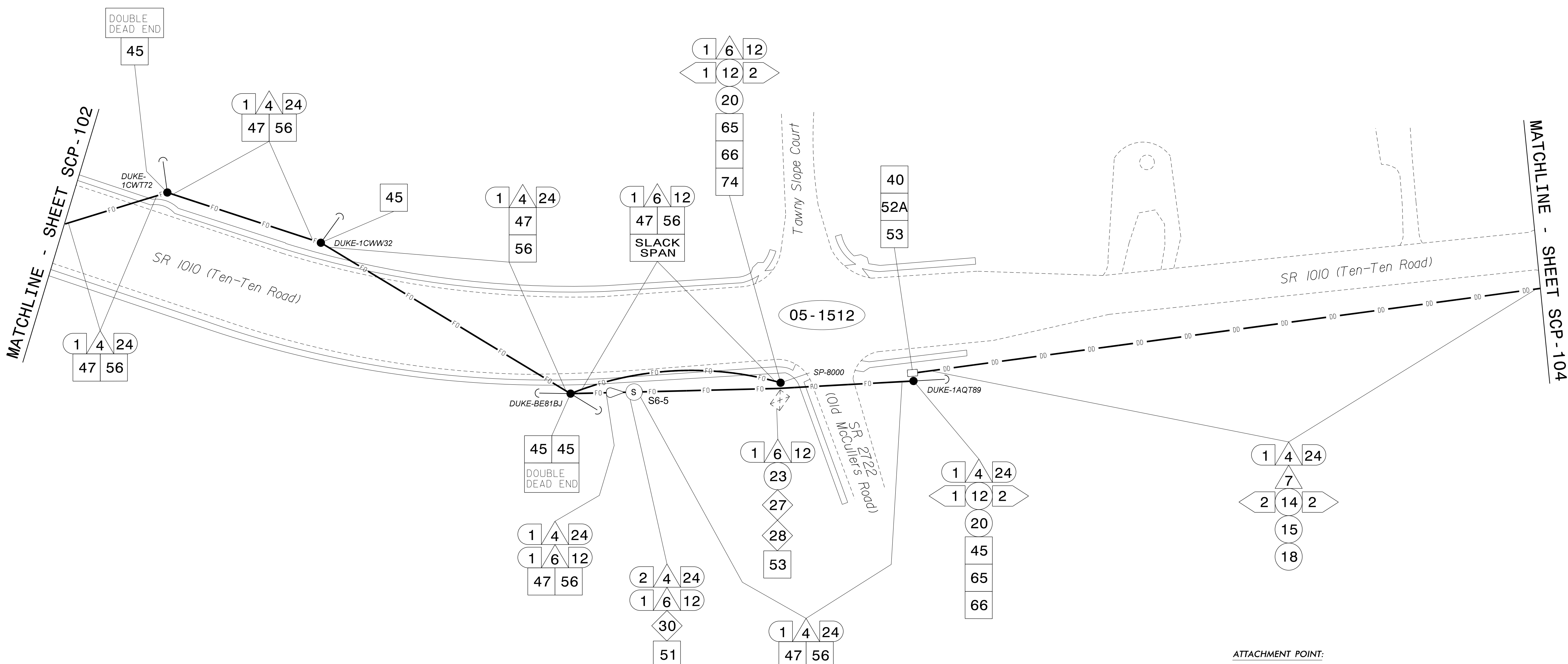
Division 5	Wake County	Fuquay-Varina
PLAN DATE: June 2022	REVIEWED BY: MB Toth	
PREPARED BY: JT Stiff	REVIEWED BY: AM Encarnacion	
REVISIONS	INIT.	DATE



CADD File name: CL-93.dgn

16-MB-2023-17-04
 S:\Projects\2023\17-04\16-MB-2023-17-04\Drawings\Roads and Bridges\Projects\100063268_Fuquay_Varino\Task_11_CL-CL-93.dgn
 5/11/2023 11:08:51 AM LUS91089

1 INSTALL CATEGORY 6 CABLE	11 INSTALL RIGID, GALVANIZED STEEL RISER WITH WEATHERHEAD	22 INSTALL NEW CONDUIT INTO CABINET BASE (USE EX CABINET ENTRANCE WHEN AVAILABLE)	32 MODIFY EXISTING SPLICE ENCLOSURE OR INTERCONNECT CENTER	43 REMOVE EXISTING WOOD POLE	54 LASH CABLE(S) TO EXISTING SIGNAL/COMMUNICATIONS CABLE	66 BOND RISER TO POLE GROUND
2 INSTALL 3-WIRE COPPER SERVICE ENTRANCE CONDUCTORS	12 INSTALL RIGID, GALVANIZED STEEL RISER WITH HEAT SHRINK TUBING	23 INSTALL NEW RISER INTO CABINET BASE (USE EX CABINET ENTRANCE WHEN AVAILABLE)	33 REMOVE EXISTING SPLICE / HUB / CCTV CABINET	44 INSTALL AERIAL GUY ASSEMBLY	55 LASH CABLE(S) TO EXISTING MESSENGER CABLE	67 BOND TRACER WIRE TO EQUIPMENT GROUND BUS
3 INSTALL 3-WIRE COPPER FEEDER CONDUCTORS	13 INSTALL HEAT SHRINK TUBING RETROFIT KIT	24 INSTALL NEW CONDUIT INTO POLE MOUNTED CABINET	34 INSTALL CABINET FOUNDATION	45 INSTALL STANDARD GUY ASSEMBLY	56 LASH CABLE(S) TO NEW MESSENGER CABLE	68 NOT USED
4 INSTALL SMFO CABLE	14 INSTALL HIGH DENSITY POLYETHYLENE CONDUIT	25 INSTALL NEW RISER INTO POLE MOUNTED CABINET	35 REMOVE EXISTING CABINET FOUNDATION	46 INSTALL SIDEWALK GUY ASSEMBLY	57 MODIFY EXISTING ELECTRICAL SERVICE	69 HANDLASH AND INSTALL AERIAL CABLE PROTECTOR
5 INSTALL COAXIAL ANTENNA CABLE	15 DIRECTIONAL DRILL CONDUIT	26 INSTALL DIGITAL VIDEO ENCODER	36 INSTALL CCTV CAMERA ASSEMBLY	47 INSTALL MESSENGER CABLE	58 INSTALL NEW ELECTRICAL SERVICE	70 INSTALL EQUIPMENT CABINET DISCONNECT
6 INSTALL FIBER-OPTIC DROP CABLE	16 BORE AND JACK CONDUIT	27 INSTALL NEW ETHERNET EDGE SWITCH IN CABINET	37 INSTALL CCTV CAMERA WOOD POLE	48 REMOVE EXISTING COMMUNICATIONS CABLE AND MESSENGER CABLE	59 INSTALL NEW POLE MOUNTED CCTV CABINET (336)	71 INSTALL MANAGED ETHERNET SWITCH
7 INSTALL TRACER WIRE	17 INSTALL CABLE(S) IN EXISTING CONDUIT	28 INSTALL INTERCONNECT CENTER, PATCH PANEL, JUMPERS, AND FUSION SPLICE CABLE IN CABINET	38 INSTALL STANDARD SIZE JUNCTION BOX	49 REMOVE EXISTING COMMUNICATIONS CABLE	60 INSTALL NEW CCTV CABINET (NEMA TYPE 4)	72 INSTALL CCTV METAL POLE
8 INSTALL CONDUIT UNDERGROUND	18 INSTALL CABLE(S) IN NEW CONDUIT	29 INSTALL UNDERGROUND SPLICE ENCLOSURE	39 INSTALL SPECIAL-SIZED JUNCTION BOX (36" x 24" x 24")	50 INSTALL SERVICE CONDUCTORS	61 REMOVE EXISTING CCTV CAMERA ASSEMBLY	73 REMOVE EXISTING CCTV METAL POLE
9 INSTALL PVC CONDUIT	19 INSTALL CABLE(S) IN EXISTING RISER(S)	30 INSTALL AERIAL SPLICE ENCLOSURE	40 INSTALL OVER-SIZED JUNCTION BOX	51 INSTALL CABLE STORAGE GUIDE(S) (SNOW SHOE(S) AND STORE 100 FEET OF EACH CABLE)	62 NEW CABINET ENTRANCE INTO NEW FOUNDATION	74 REMOVE WIRELESS COMMUNICATIONS EQUIPMENT
10 INSTALL RIGID, GALVANIZED STEEL CONDUIT	20 INSTALL CABLE(S) IN NEW RISER(S)	31 INSTALL TYPE 332 HUB CABINET	41 REMOVE EXISTING JUNCTION BOX	52A INSTALL DELINEATOR MARKER	63 DRILL/CORE DRILL EXISTING FOUNDATION	75 BACKPULL AND COIL NCDOT ITS CABLE
			42 INSTALL WOOD POLE	52B INSTALL JUNCTION BOX MARKER	64 INTERCEPT AND REROUTE EXISTING CONDUITS	76 INSTALL HUB SWITCH
				53 STORE 30' OF COMMUNICATIONS CABLE (EACH CABLE)	65 BOND MESSENGER TO POLE GROUND	77 INSTALL CELLULAR MODEM

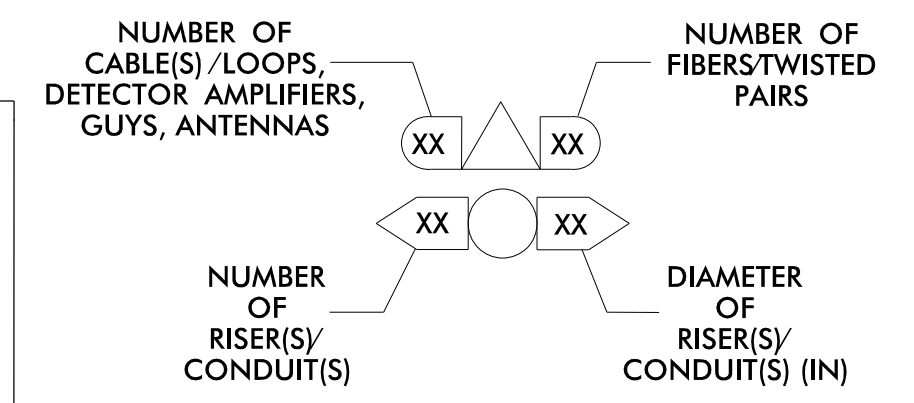


- NOTES:**
- UNLESS OTHERWISE NOTED:
 - OVERLASH NEW FIBER OPTIC CABLE TO EXISTING COMMUNICATIONS CABLE.
 - ATTACH NEW MESSENGER CABLE 40" BELOW POWER.
 - ATTACH ON FRONT SIDE (FS) OF POLE.
 - SEAL ALL CONDUIT ENDS WITH DUCT AND CONDUIT SEALER AT ALL JUNCTION BOX / CABINET ENTRANCES.

EXPRESS FIBERS
SEE SPLICE DETAIL
DO NOT CUT CABLE

ATTACHMENT POINT:
 XXX DISTANCE ABOVE (IN) REFERENCE POINT
 YYY REFERENCE POINT
 XXX DISTANCE BELOW (IN) REFERENCE POINT

CONSTRUCTION NOTE SYMBOLGY KEY



1	INSTALL CATEGORY 6 CABLE	11	INSTALL RIGID, GALVANIZED STEEL RISER WITH WEATHERHEAD	22	INSTALL NEW CONDUIT INTO CABINET BASE (USE EX CABINET ENTRANCE WHEN AVAILABLE)	32	MODIFY EXISTING SPLICE ENCLOSURE OR INTERCONNECT CENTER	43	REMOVE EXISTING WOOD POLE	54	LASH CABLE(S) TO EXISTING SIGNAL/COMMUNICATIONS CABLE	66	BOND RISER TO POLE GROUND
2	INSTALL 3-WIRE COPPER SERVICE ENTRANCE CONDUCTORS	12	INSTALL RIGID, GALVANIZED STEEL RISER WITH HEAT SHRINK TUBING	23	INSTALL NEW RISER INTO CABINET BASE (USE EX CABINET ENTRANCE WHEN AVAILABLE)	33	REMOVE EXISTING SPLICE / HUB / CCTV CABINET	44	INSTALL AERIAL GUY ASSEMBLY	55	LASH CABLE(S) TO EXISTING MESSENGER CABLE	67	BOND TRACER WIRE TO EQUIPMENT GROUND BUS
3	INSTALL 3-WIRE COPPER FEEDER CONDUCTORS	13	INSTALL HEAT SHRINK TUBING RETROFIT KIT	24	INSTALL NEW CONDUIT INTO POLE MOUNTED CABINET	34	INSTALL CABINET FOUNDATION	45	INSTALL STANDARD GUY ASSEMBLY	56	LASH CABLE(S) TO NEW MESSENGER CABLE	68	NOT USED
4	INSTALL SMFO CABLE	14	INSTALL HIGH DENSITY POLYETHYLENE CONDUIT	25	INSTALL NEW RISER INTO POLE MOUNTED CABINET	35	REMOVE EXISTING CABINET FOUNDATION	46	INSTALL SIDEWALK GUY ASSEMBLY	57	MODIFY EXISTING ELECTRICAL SERVICE	69	HANDLASH AND INSTALL AERIAL CABLE PROTECTOR
5	INSTALL COAXIAL ANTENNA CABLE	15	DIRECTIONAL DRILL CONDUIT	26	INSTALL DIGITAL VIDEO ENCODER	36	INSTALL CCTV CAMERA ASSEMBLY	47	INSTALL MESSENGER CABLE	58	INSTALL NEW ELECTRICAL SERVICE	70	INSTALL EQUIPMENT CABINET DISCONNECT
6	INSTALL FIBER-OPTIC DROP CABLE	16	BORE AND JACK CONDUIT	27	INSTALL NEW ETHERNET EDGE SWITCH IN CABINET	37	INSTALL CCTV CAMERA WOOD POLE	48	REMOVE EXISTING COMMUNICATIONS CABLE AND MESSENGER CABLE	59	INSTALL NEW POLE MOUNTED CCTV CABINET (336)	71	INSTALL MANAGED ETHERNET SWITCH
7	INSTALL TRACER WIRE	17	INSTALL CABLE(S) IN EXISTING CONDUIT	28	INSTALL INTERCONNECT CENTER, PATCH PANEL, JUMPERS, AND FUSION SPLICE CABLE IN CABINET	38	INSTALL STANDARD SIZE JUNCTION BOX	49	REMOVE EXISTING COMMUNICATIONS CABLE	60	INSTALL NEW CCTV CABINET (NEMA TYPE 4)	72	INSTALL CCTV METAL POLE
8	INSTALL CONDUIT UNDERGROUND	18	INSTALL CABLE(S) IN NEW CONDUIT	29	INSTALL UNDERGROUND SPLICE ENCLOSURE	39	INSTALL SPECIAL-SIZED JUNCTION BOX (36" x 24" x 24")	50	INSTALL SERVICE CONDUCTORS	61	REMOVE EXISTING CCTV CAMERA ASSEMBLY	73	REMOVE EXISTING CCTV METAL POLE
9	INSTALL PVC CONDUIT	19	INSTALL CABLE(S) IN EXISTING RISER(S)	30	INSTALL AERIAL SPLICE ENCLOSURE	40	INSTALL OVER-SIZED JUNCTION BOX	51	INSTALL CABLE STORAGE GUIDE(S) (SNOW SHOE(S)) AND STORE 100 FEET OF EACH CABLE	62	NEW CABINET ENTRANCE INTO NEW FOUNDATION	74	REMOVE WIRELESS COMMUNICATIONS EQUIPMENT
10	INSTALL RIGID, GALVANIZED STEEL CONDUIT	20	INSTALL CABLE(S) IN NEW RISER(S)	31	INSTALL TYPE 332 HUB CABINET	41	REMOVE EXISTING JUNCTION BOX	52A	INSTALL DELINEATOR MARKER	63	DRILL/CORE DRILL EXISTING FOUNDATION	75	BACKPULL AND COIL NCDOT ITS CABLE
						42	INSTALL WOOD POLE	52B	INSTALL JUNCTION BOX MARKER	64	INTERCEPT AND REROUTE EXISTING CONDUITS	76	INSTALL HUB SWITCH
								53	STORE 30' OF COMMUNICATIONS CABLE (EACH CABLE)	65	BOND MESSENGER TO POLE GROUND	77	INSTALL CELLULAR MODEM

ATKINS 1616 EAST HILLBROOK ROAD, SUITE 160
RALEIGH, NORTH CAROLINA 27609
(919) 876-8888 NCBEES #F-0326

DOCUMENT NOT CONSIDERED FINAL UNLESS ALL SIGNATURES COMPLETED

Prepared for the Offices of:

 Fuquay-Varina Signal System Cable Routing Plans

Division 5 Wake County Fuquay-Varina

PLAN DATE: June 2022 REVIEWED BY: MB Toth

PREPARED BY: JT Stiff REVIEWED BY: AM Encarnacion

REVISIONS: _____ INIT. DATE

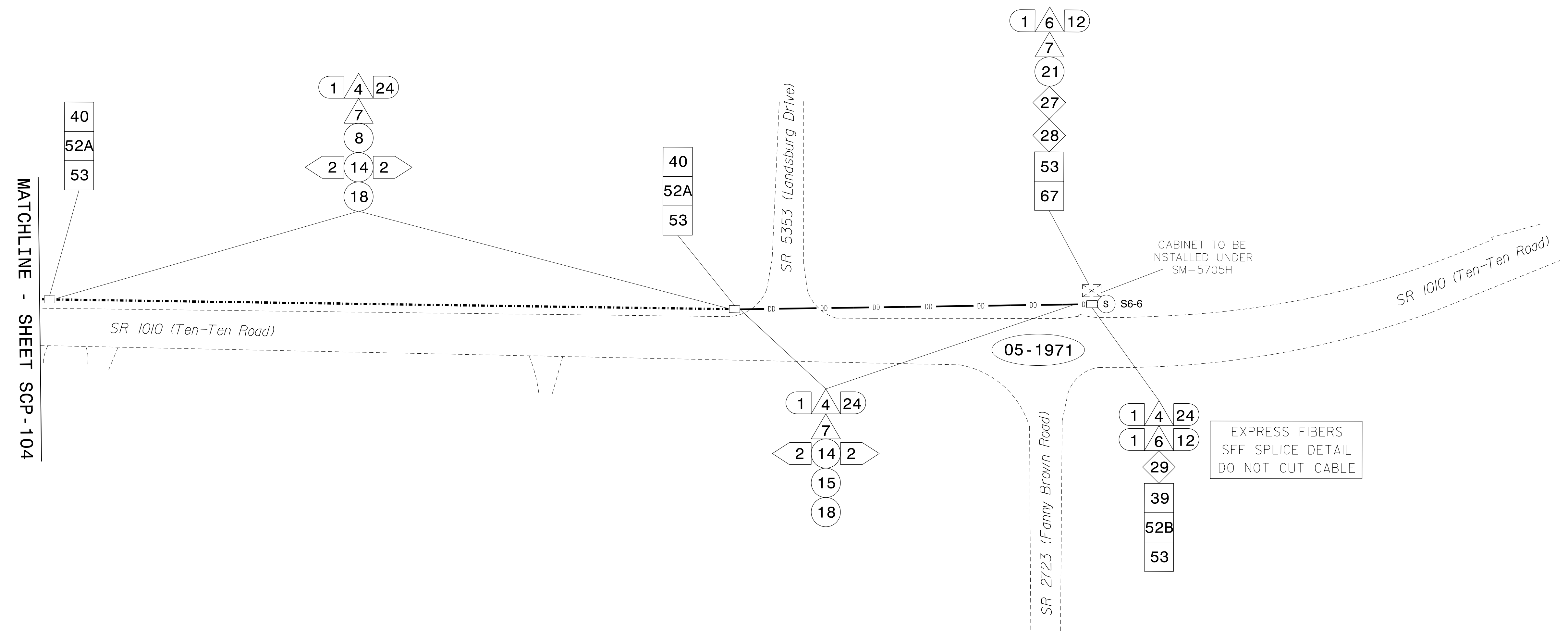
SCALE: 0 50
1"=50'

Seal: SEAL 044476
 PROFESSIONAL ENGINEER
 ANTHONY M. ENCARNACION

4/14/2023
 DATE

CADD File name: CL-98.dgn

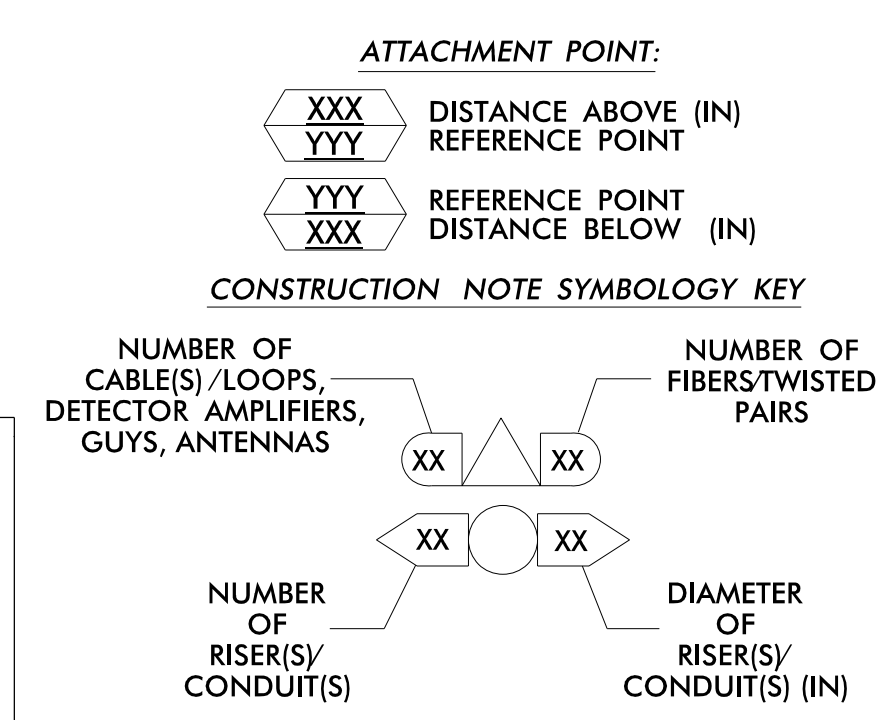
16-MAR-2023 17:05
 \\FS16003036343\STIFF\685 AT LUS911089
 Br:\dges\Projects\100063268 Fuquay Varina\Task 11_CL/CL-98.dgn



MATCHLINE - SHEET SCP-104

- NOTES:**
- UNLESS OTHERWISE NOTED:
 - OVERLASH NEW FIBER OPTIC CABLE TO EXISTING COMMUNICATIONS CABLE.
 - ATTACH NEW MESSENGER CABLE 40" BELOW POWER.
 - ATTACH ON FRONT SIDE (FS) OF POLE.
 - SEAL ALL CONDUIT ENDS WITH DUCT AND CONDUIT SEALER AT ALL JUNCTION BOX / CABINET ENTRANCES.

1	INSTALL CATEGORY 6 CABLE	11	INSTALL RIGID, GALVANIZED STEEL RISER WITH WEATHERHEAD	22	INSTALL NEW CONDUIT INTO CABINET BASE (USE EX CABINET ENTRANCE WHEN AVAILABLE)	32	MODIFY EXISTING SPLICE ENCLOSURE OR INTERCONNECT CENTER	43	REMOVE EXISTING WOOD POLE	54	LASH CABLE(S) TO EXISTING SIGNAL/COMMUNICATIONS CABLE	66	BOND RISER TO POLE GROUND
2	INSTALL 3-WIRE COPPER SERVICE ENTRANCE CONDUCTORS	12	INSTALL RIGID, GALVANIZED STEEL RISER WITH HEAT SHRINK TUBING	23	INSTALL NEW RISER INTO CABINET BASE (USE EX CABINET ENTRANCE WHEN AVAILABLE)	33	REMOVE EXISTING SPLICE /HUB / CCTV CABINET	44	INSTALL AERIAL GUY ASSEMBLY	55	LASH CABLE(S) TO EXISTING MESSENGER CABLE	67	BOND TRACER WIRE TO EQUIPMENT GROUND BUS
3	INSTALL 3-WIRE COPPER FEEDER CONDUCTORS	13	INSTALL HEAT SHRINK TUBING RETROFIT KIT	24	INSTALL NEW CONDUIT INTO POLE MOUNTED CABINET	34	INSTALL CABINET FOUNDATION	45	INSTALL STANDARD GUY ASSEMBLY	56	LASH CABLE(S) TO NEW MESSENGER CABLE	68	NOT USED
4	INSTALL SMFO CABLE	14	INSTALL HIGH DENSITY POLYETHYLENE CONDUIT	25	INSTALL NEW RISER INTO POLE MOUNTED CABINET	35	REMOVE EXISTING CABINET FOUNDATION	46	INSTALL SIDEWALK GUY ASSEMBLY	57	MODIFY EXISTING ELECTRICAL SERVICE	69	HANDLASH AND INSTALL AERIAL CABLE PROTECTOR
5	INSTALL COAXIAL ANTENNA CABLE	15	DIRECTIONAL DRILL CONDUIT	26	INSTALL DIGITAL VIDEO ENCODER	36	INSTALL CCTV CAMERA ASSEMBLY	47	INSTALL MESSENGER CABLE	58	INSTALL NEW ELECTRICAL SERVICE	70	INSTALL EQUIPMENT CABINET DISCONNECT
6	INSTALL FIBER-OPTIC DROP CABLE	16	BORE AND JACK CONDUIT	27	INSTALL NEW ETHERNET EDGE SWITCH IN CABINET	37	INSTALL CCTV CAMERA WOOD POLE	48	REMOVE EXISTING COMMUNICATIONS CABLE AND MESSENGER CABLE	59	INSTALL NEW POLE MOUNTED CCTV CABINET (336)	71	INSTALL MANAGED ETHERNET SWITCH
7	INSTALL TRACER WIRE	17	INSTALL CABLE(S) IN EXISTING CONDUIT	28	INSTALL INTERCONNECT CENTER, PATCH PANEL, JUMPERS, AND FUSION SPLICE CABLE IN CABINET	38	INSTALL STANDARD SIZE JUNCTION BOX	49	REMOVE EXISTING COMMUNICATIONS CABLE	60	INSTALL NEW CCTV CABINET (NEMA TYPE 4)	72	INSTALL CCTV METAL POLE
8	INSTALL CONDUIT UNDERGROUND	18	INSTALL CABLE(S) IN NEW CONDUIT	29	INSTALL UNDERGROUND SPLICE ENCLOSURE	39	INSTALL SPECIAL-SIZED JUNCTION BOX (36" x 24" x 24")	50	INSTALL SERVICE CONDUCTORS	61	REMOVE EXISTING CCTV CAMERA ASSEMBLY	73	REMOVE EXISTING CCTV METAL POLE
9	INSTALL PVC CONDUIT	19	INSTALL CABLE(S) IN EXISTING RISER(S)	30	INSTALL AERIAL SPLICE ENCLOSURE	40	INSTALL OVER-SIZED JUNCTION BOX	51	INSTALL CABLE STORAGE GUIDE(S) (SNOW SHOE(S) AND STORE 100 FEET OF EACH CABLE)	62	NEW CABINET ENTRANCE INTO NEW FOUNDATION	74	REMOVE WIRELESS COMMUNICATIONS EQUIPMENT
10	INSTALL RIGID, GALVANIZED STEEL CONDUIT	20	INSTALL CABLE(S) IN NEW RISER(S)	31	INSTALL TYPE 332 HUB CABINET	41	REMOVE EXISTING JUNCTION BOX	52A	INSTALL DELINEATOR MARKER	63	DRILL/CORE DRILL EXISTING FOUNDATION	75	BACKPULL AND COIL NCDOT ITS CABLE
						42	INSTALL WOOD POLE	52B	INSTALL JUNCTION BOX MARKER	64	INTERCEPT AND REROUTE EXISTING CONDUITS	76	INSTALL HUB SWITCH
								53	STORE 30' OF COMMUNICATIONS CABLE (EACH CABLE)	65	BOND MESSENGER TO POLE GROUND	77	INSTALL CELLULAR MODEM



ATKINS 1616 EAST MILLBROOK ROAD, SUITE 160 RALEIGH, NORTH CAROLINA 27609 (919) 876-8888 NCBES #F-0326

DOCUMENT NOT CONSIDERED FINAL UNLESS ALL SIGNATURES COMPLETED

Prepared for the Offices of:

Fuquay-Varina Signal System Cable Routing Plans

Division 5 Wake County Fuquay-Varina

PLAN DATE: June 2022 REVIEWED BY: MB Toth

PREPARED BY: JT Stiff REVIEWED BY: AM Encarnacion

REVISIONS: _____ INIT. DATE

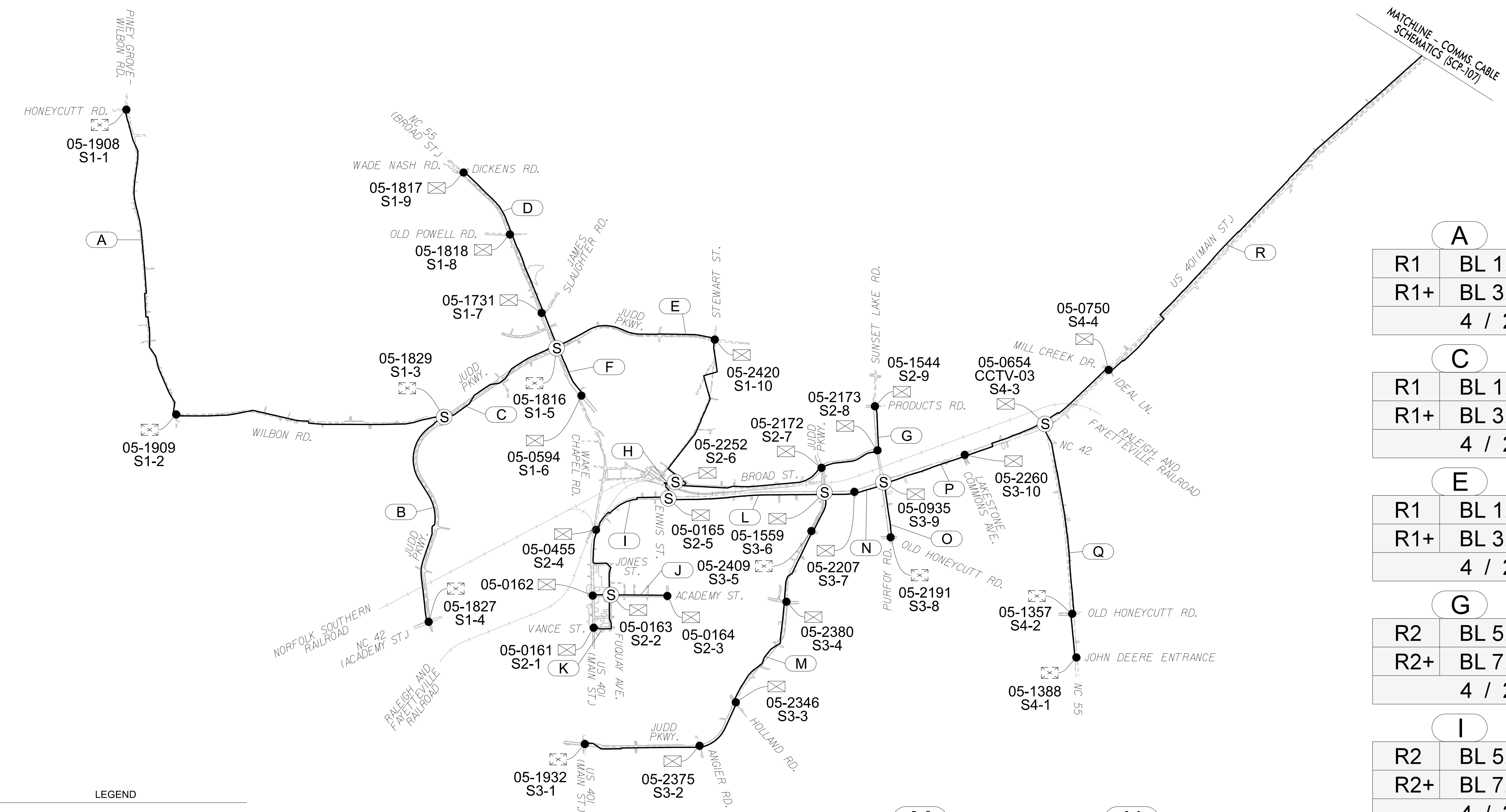
SCALE: 1"=50'

Seal:

DATE: 4/14/2023

CADD File Name: CL-100.dgn

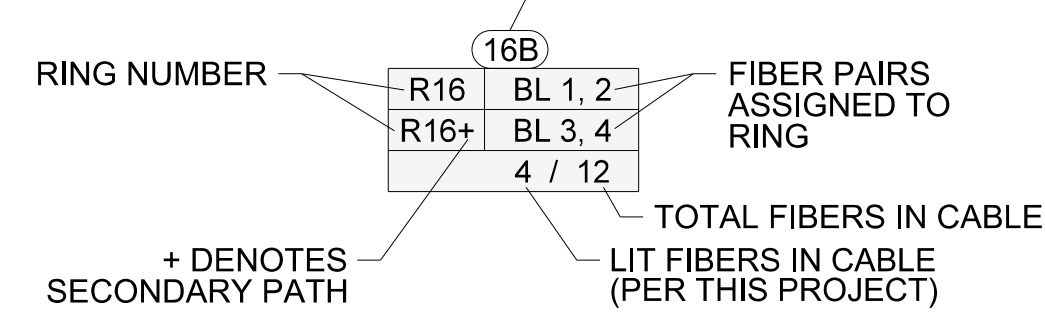
16-MAR-2023 11:05 AM //S:\JED0036345\105\con\A\K\N\N\01\Documents\Roads and Br\rdges\Projects\100063268_Fuquay_Var\ncr\Task 11_CL/CL-100.dgn



A		B	
R1	BL 1, 2	R1	BL 1, 2
R1+	BL 3, 4	R1+	BL 3, 4
4 / 24		4 / 24	
C		D	
R1	BL 1, 2	R1	BL 1, 2
R1+	BL 3, 4	R1+	BL 3, 4
4 / 24		4 / 24	
E		F	
R1	BL 1, 2	R1	BL 1, 2
R1+	BL 3, 4	R1+	BL 3, 4
4 / 24		4 / 24	
G		H	
R2	BL 5, 6	R2	BL 5, 6
R2+	BL 7, 8	R2+	BL 7, 8
4 / 24		8 / 24	
I		J	
R2	BL 5, 6	R2	BL 5, 6
R2+	BL 7, 8	R2+	BL 7, 8
4 / 24		4 / 24	
K		L	
R2	BL 5, 6	R2	BL 5, 6
R2+	BL 7, 8	R2+	BL 7, 8
4 / 24		8 / 24	
M		N	
R3	BL 1, 2	R3	BL 9, 10
R3+	BL 3, 4	R3+	BL 11, 12
4 / 24		12 / 24	
O		P	
R3	BL 1, 2	R3	BL 9, 10
R3+	BL 3, 4	R3+	BL 11, 12
4 / 24		12 / 24	
Q		R	
R4	BL 1, 2	R4	OR 1, 2
R4+	BL 3, 4	R4+	OR 3, 4
4 / 24		16 / 48	

LEGEND

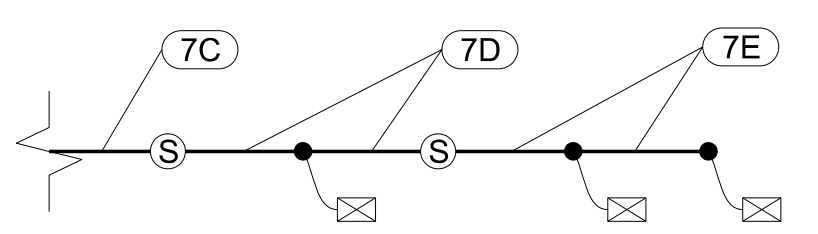
- Ⓢ CABLE-TO-CABLE SPLICE
- Ⓜ HUB CABINET WITH CELL MODEM
- □ DROP SPLICE TO CCTV CABINET
- ⊠ DROP SPLICE TO SIGNAL CABINET
- ⊠ DROP SPLICE TO SIGNAL CABINET (SHARED SWITCH WITH CCTV)
- NEW FIBER-OPTIC CABLE
- - - EXISTING FIBER-OPTIC CABLE
- S#-## SPLICE NUMBER
- 05-#### STATE SIGNAL INVENTORY NUMBER
- CCTV ## CCTV ID



- FIBER BUFFER TUBES
- BL - BLUE
 - OR - ORANGE
 - GR - GREEN
 - BR - BROWN

NOTES:

- CABLE ROUTES AND SPLICE LOCATIONS SHOWN ON THIS SHEET ARE SHOWN SCHEMATICALLY AND NOT NECESSARILY AT THEIR EXACT LOCATIONS. SEE CABLE LAYOUT PLANS FOR EXACT LOCATIONS.
- CABLE ID NUMBERS REPRESENT UNIQUE CABLE NAMES BETWEEN TWO CABLE-TO-CABLE SPLICES, OR BETWEEN A CABLE-TO-CABLE SPLICE AND THE END OF A CABLE RUN; CABLE ID NUMBERS DO NOT CHANGE BETWEEN SIMPLE DROP CABLE SPLICES.



16-MAR-2023 17:06 p:\7\505003634\wshk\ins.com\TKMANC01\Documents\Roads and Bridges\Projects\100063208 Fuquay Varina\Task 11_Comms\Comms Cable Schematic Design.dgn SIF4685 AT LUS451089

ATKINS 1616 EAST MILLBROOK ROAD, SUITE 160 RALEIGH, NORTH CAROLINA 27609 (919) 876-6888 NCBES #F-0326

DOCUMENT NOT CONSIDERED FINAL UNLESS ALL SIGNATURES COMPLETED

Prepared for the Offices of: **Fuquay-Varina CLS Comms. Cable Schematics (1 of 2)**

Division 5 Wake County Fuquay-Varina

PLAN DATE: June 2022 REVIEWED BY: BJ Slocum

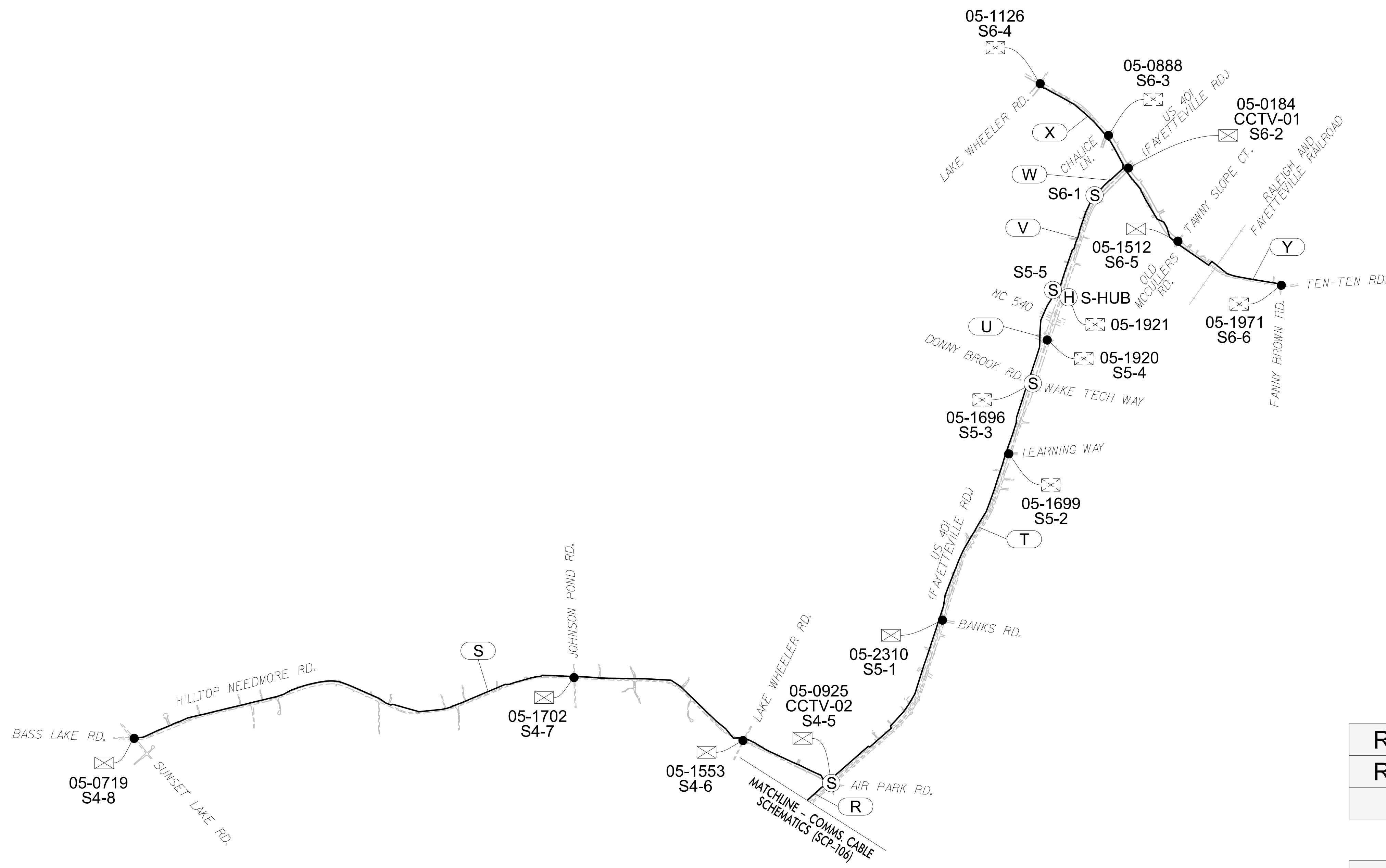
PREPARED BY: JT Stiff REVIEWED BY: AM Encarnacion

750 Greenfield Parkway, Garner, NC 27529

SCALE: NTS

4/14/2023 DATE

CADD Filename: Comms Cable Schematics



S	
R4	BL 1, 2
R4+	BL 3, 4
4 / 24	

T	
R5	OR 5, 6
R5+	OR 7, 8
20 / 48	

U	
R5	OR 5, 6
R5+	OR 7, 8
20 / 72	

V	
R6	BL 1, 2
R6+	BL 3, 4
4 / 72	

W	
R6	BL 1, 2
R6+	BL 3, 4
4 / 24	

X	
R6	BL 1, 2
R6+	BL 3, 4
4 / 24	

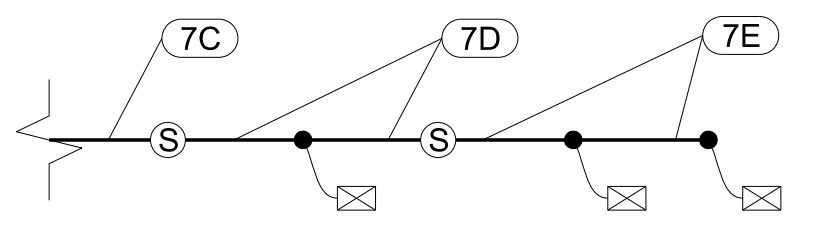
Y	
R6	BL 1, 2
R6+	BL 3, 4
4 / 24	

LEGEND

- CABLE-TO-CABLE SPLICE
- HUB CABINET WITH CELL MODEM
- DROP SPLICE TO CCTV CABINET
- DROP SPLICE TO SIGNAL CABINET
- DROP SPLICE TO SIGNAL CABINET (SHARED SWITCH WITH CCTV)
- NEW FIBER-OPTIC CABLE
- EXISTING FIBER-OPTIC CABLE
- S#-##** SPLICE NUMBER
- 05-####** STATE SIGNAL INVENTORY NUMBER
- CCTV ##** CCTV ID

NOTES:

- CABLE ROUTES AND SPLICE LOCATIONS SHOWN ON THIS SHEET ARE SHOWN SCHEMATICALLY AND NOT NECESSARILY AT THEIR EXACT LOCATIONS. SEE CABLE LAYOUT PLANS FOR EXACT LOCATIONS.
- CABLE ID NUMBERS REPRESENT UNIQUE CABLE NAMES BETWEEN TWO CABLE-TO-CABLE SPLICES, OR BETWEEN A CABLE-TO-CABLE SPLICE AND THE END OF A CABLE RUN; CABLE ID NUMBERS DO NOT CHANGE BETWEEN SIMPLE DROP CABLE SPLICES.



RING NUMBER	16B	FIBER PAIRS ASSIGNED TO RING
	R16 BL 1, 2	
	R16+ BL 3, 4	
	4 / 12	TOTAL FIBERS IN CABLE
		LIT FIBERS IN CABLE (PER THIS PROJECT)
+ DENOTES SECONDARY PATH		
FIBER BUFFER TUBES		
BL	-	BLUE
OR	-	ORANGE
GR	-	GREEN
BR	-	BROWN

ATKINS

1616 EAST MILLBROOK ROAD, SUITE 160
RALEIGH, NORTH CAROLINA 27609
(919) 876-6888 NCBEES #F-0326

DOCUMENT NOT CONSIDERED FINAL UNLESS ALL SIGNATURES COMPLETED

	Fuquay-Varina CLS Comms. Cable Schematics (2 of 2)		SEAL BRADFORD J. SLOCUM ENGINEER 040877
	Division 5 Wake County Fuquay-Varina PLAN DATE: June 2022 PREPARED BY: JT Stiff SCALE: NTS	REVIEWED BY: BJ Slocum DATE: 4/14/2023 DATE:	

16-MAR-2023 17:06
 p:\7\305003634\wshk\ins.com\ATKMANC01\Documents\Roads and Bridges\Projects\100063268 Fuquay Varina\Task 11_Coms\Comms Cable Schematic Design-2.dgn
 SIF4685 AT LUS451089

Splice Number	Signal Inventory / CCTV ID	Fiber Splicing Detail Sheet No.	Signal Communications Plan Sheet No.
S1-1	05-1908	SCP-109	SCP-91
S1-2	05-1909	SCP-109	SCP-97
S1-3	05-1829	SCP-110	SCP-88
S1-4	05-1827	SCP-111	SCP-84
S1-5	05-1816	SCP-112	SCP-77
S1-6	05-0594	SCP-113	SCP-78
S1-7	05-1731	SCP-113	SCP-76
S1-8	05-1818	SCP-114	SCP-74
S1-9	05-1817	SCP-114	SCP-73
S1-10	05-2420	SCP-115	SCP-81
S2-1	05-0161	SCP-115	SCP-06
S2-2	05-0162/05-0163	SCP-116	SCP-06
S2-3	05-0164	SCP-117	SCP-41
S2-4	05-0455	SCP-117	SCP-08
S2-5	05-0165	SCP-118	SCP-09
S2-6	05-2252	SCP-119	SCP-68
S2-7	05-2172	SCP-120	SCP-71
S2-8	05-2173	SCP-120	SCP-72
S2-9	05-1544	SCP-121	SCP-72
S3-1	05-1932	SCP-122	SCP-42
S3-2	05-2375	SCP-122	SCP-44
S3-3	05-2346	SCP-123	SCP-45
S3-4	05-2380	SCP-123	SCP-47
S3-5	05-2409	SCP-124	SCP-49
S3-6	05-1559	SCP-125	SCP-12
S3-7	05-2207	SCP-126	SCP-13
S3-8	05-2191	SCP-126	SCP-50
S3-9	05-0935	SCP-127	SCP-13
S3-10	05-2260	SCP-128	SCP-15
S4-1	05-1388	SCP-129	SCP-51A
S4-2	05-1357	SCP-129	SCP-51
S4-3	05-0654/CCTV-03	SCP-130	SCP-17
S4-4	05-0750	SCP-131	SCP-18
S4-5	05-0925/CCTV-02	SCP-132	SCP-27
S4-6	05-1553	SCP-133	SCP-66
S4-7	05-1702	SCP-133	SCP-63
S4-8	05-0719	SCP-134	SCP-55
S5-1	05-2310	SCP-134	SCP-30
S5-2	05-1699	SCP-135	SCP-33
S5-3	05-1696	SCP-135	SCP-34
S5-4	05-1920	SCP-136	SCP-35
S5-5	N/A	SCP-136	SCP-36

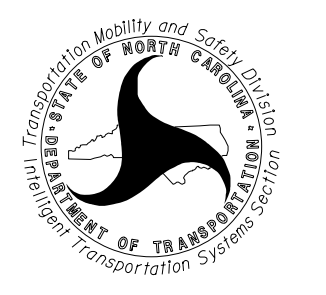
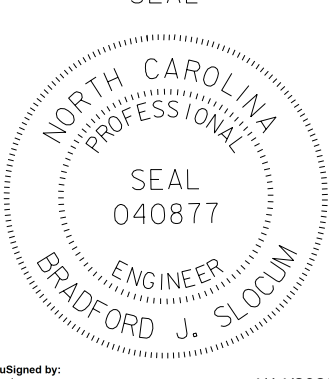
Splice Number	Signal Inventory / CCTV ID	Fiber Splicing Detail Sheet No.	Signal Communications Plan Sheet No.
S-HUB	05-1921	SCP-137	SCP-36
S6-1	N/A	SCP-138	SCP-38
S6-2	05-0184/CCTV-01	SCP-139	SCP-38
S6-3	05-0888	SCP-140	SCP-39
S6-4	05-1126	SCP-140	SCP-40
S6-5	05-1512	SCP-141	SCP-103
S6-6	05-1971	SCP-141	SCP-105

16-MAR-2023 17:06 p:\7\305003634\wshk\ins.com\ATKMANC01\Documents/Roads and Bridges/Projects/100063268 Fuquay Varina/Task 11_Comms/Splice Key Sheet.dgn S:\P\4685 AT LUS491089



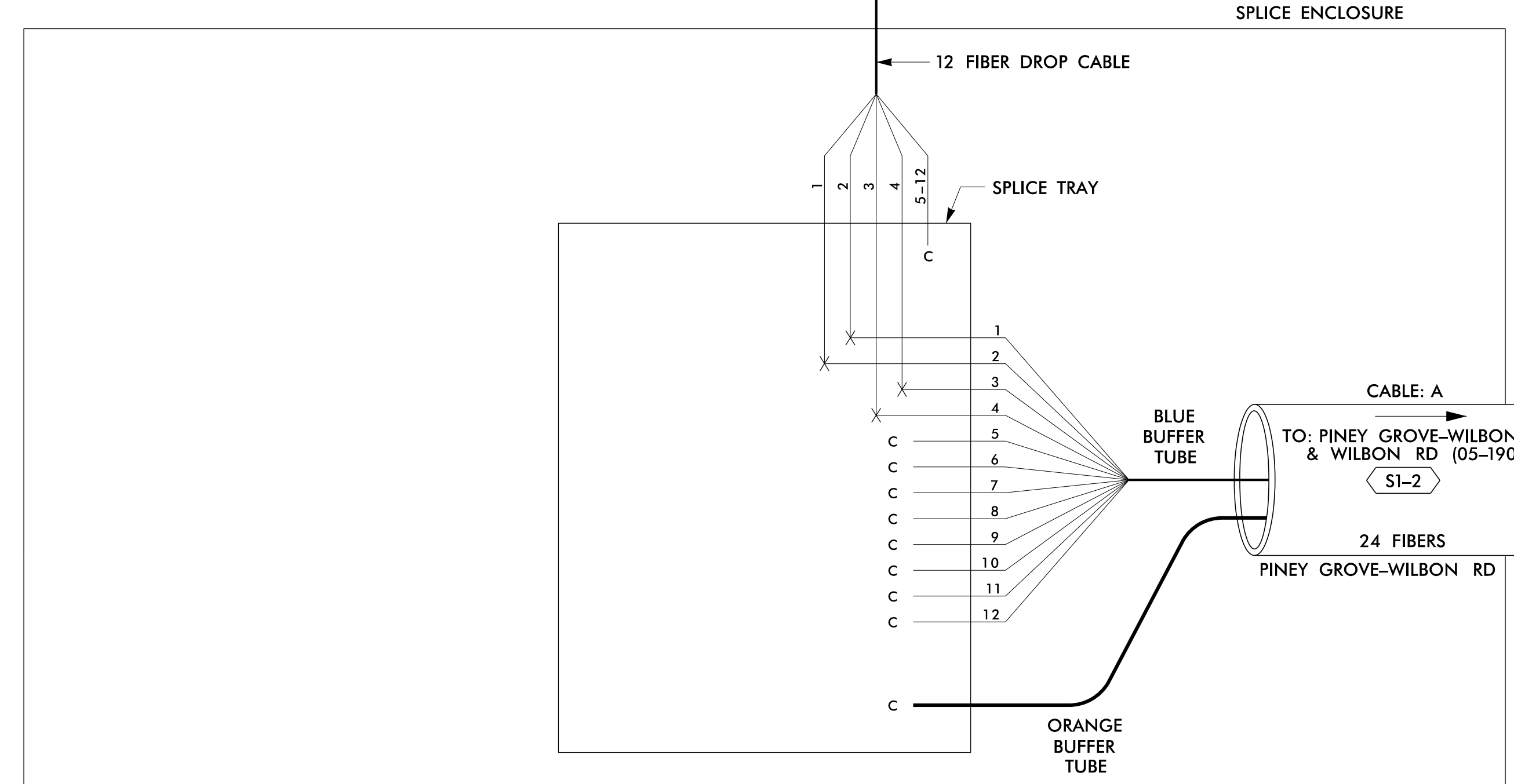
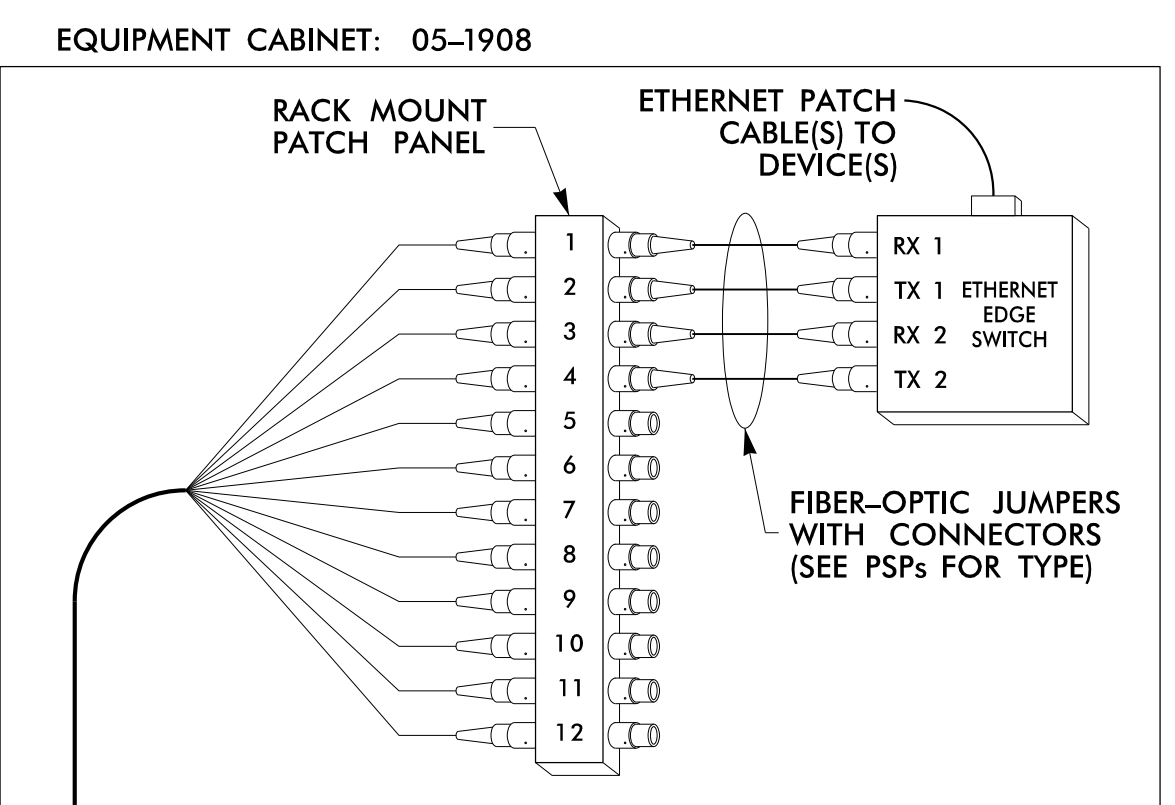
1616 EAST MILLBROOK ROAD, SUITE 160
RALEIGH, NORTH CAROLINA 27609
(919) 876-6888 NCBEES #F-0326

DOCUMENT NOT CONSIDERED FINAL
UNLESS ALL SIGNATURES COMPLETED

	Fuquay-Varina CLS Fiber-Optic Splicing Details Key Sheet										
	Division 5 Wake County Fuquay-Varina PLAN DATE: June 2022 REVIEWED BY: BJ Slocum PREPARED BY: JT Stiff REVIEWED BY: AM Encarnacion										
SCALE NTS	REVISIONS <table border="1"> <tr><th>INIT.</th><th>DATE</th></tr> <tr><td> </td><td> </td></tr> <tr><td> </td><td> </td></tr> <tr><td> </td><td> </td></tr> </table>	INIT.	DATE							SEAL 4/14/2023 DATE CADD Filename: Splice Key Sheet.dgn	
INIT.	DATE										

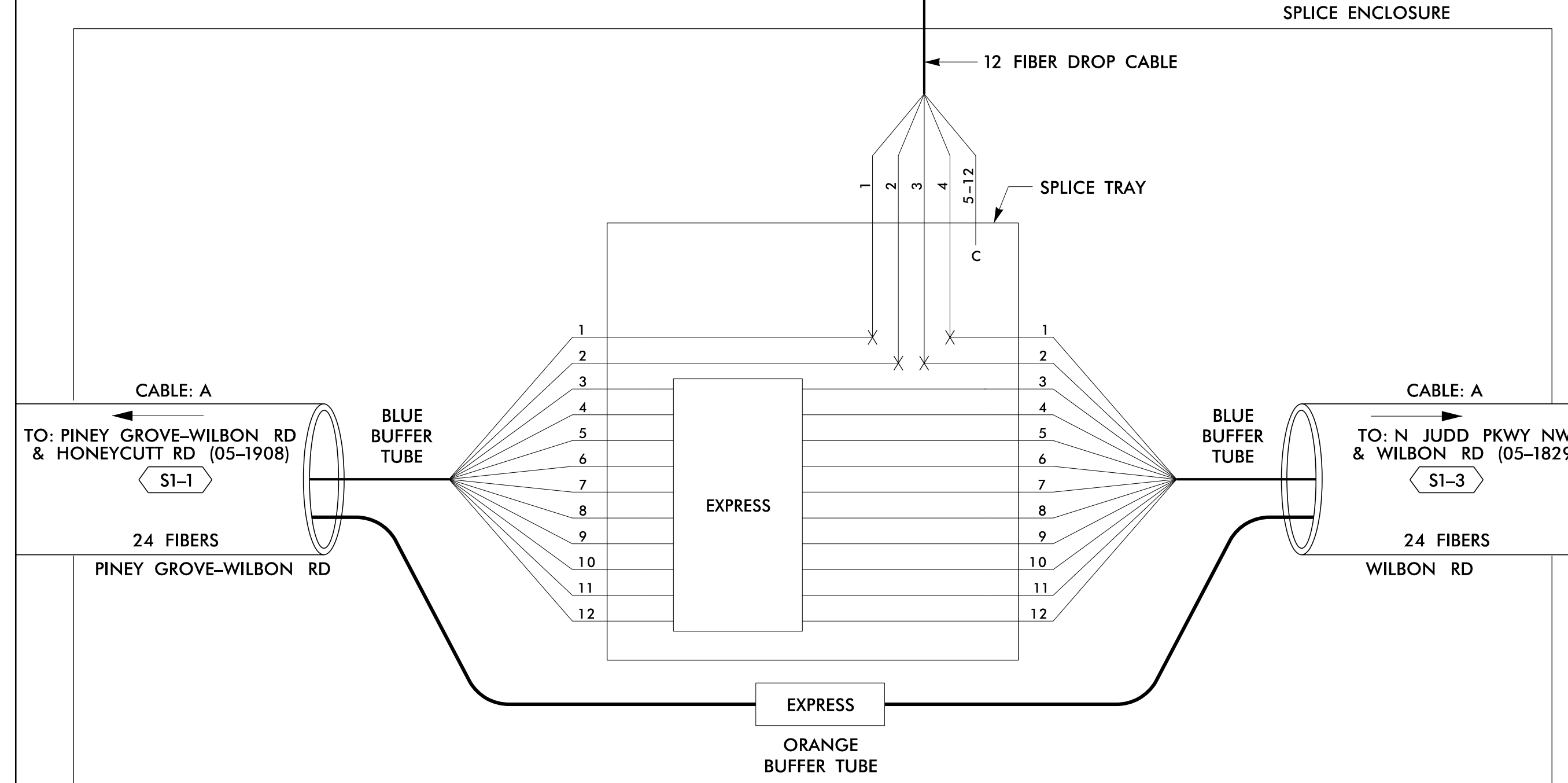
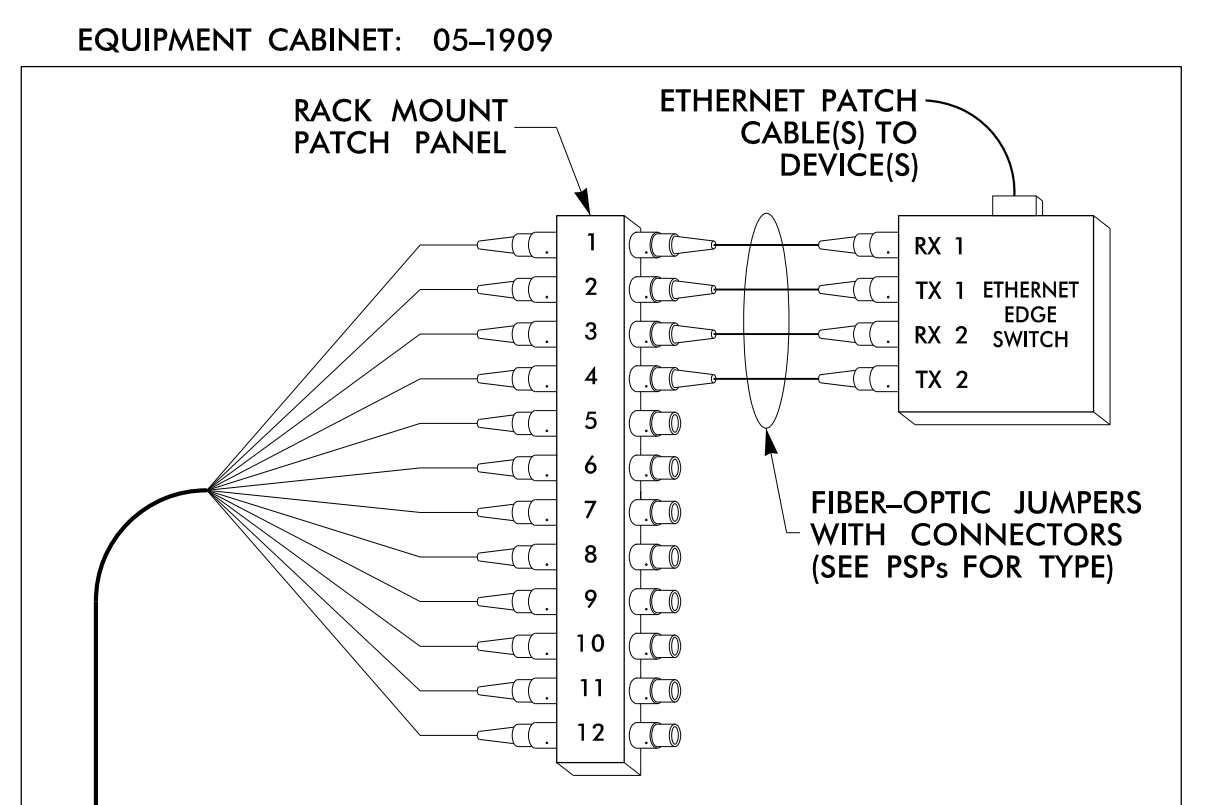
SPLICE NO.
S1-1

PINEY GROVE-WILBON RD & HONEYCUTT RD
SEE: SCP-91



SPLICE NO.
S1-2

PINEY GROVE-WILBON RD & HONEYCUTT RD
SEE: SCP-97



LEGEND

COLOR CODE TIA/EIA 598-B		X = FUSION SPLICE INDIVIDUAL FIBER
(1) BLUE	(7) RED	C = CAP AND SEAL
(2) ORANGE	(8) BLACK	EXPRESS
(3) GREEN	(9) YELLOW	EXPRESS ENTIRE BUFFER TUBE / FIBERS THROUGH WITHOUT CUTTING
(4) BROWN	(10) VIOLET	BUFFER SPLICE
(5) SLATE	(11) ROSE	SPLICE ALL FIBERS IN BUFFER TUBE COLOR TO COLOR
(6) WHITE	(12) AQUA	EXISTING
		EXISTING BUFFER TUBE / FIBERS. DO NOT MODIFY EXISTING SPLICES OR EXPRESSED FIBERS.

NOTES

- UNUSED FIBERS LEFT COILED AND STORED IN SPLICE TRAY
- UNUSED BUFFER TUBES LEFT COILED AND STORED IN SPLICE ENCLOSURE
- EDGE SWITCH CONFIGURATIONS ARE GENERIC. CONTRACTOR IS RESPONSIBLE FOR DETERMINING/ENSURING THE PROPER TERMINATIONS.

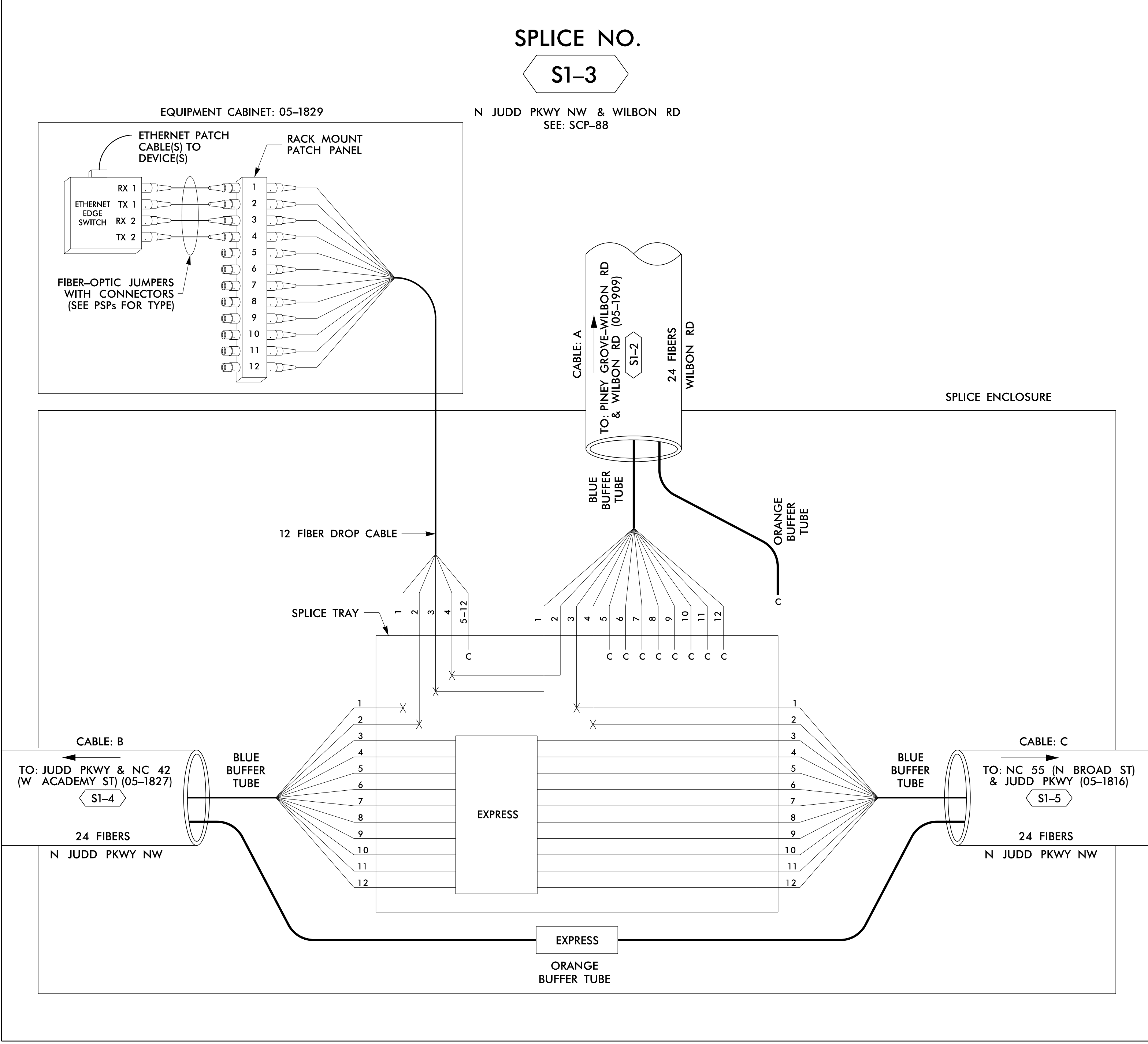
ATKINS

1616 EAST MILLBROOK ROAD, SUITE 160
RALEIGH, NORTH CAROLINA 27609
(919) 876-6888 NCBEES #F-0326

**DOCUMENT NOT CONSIDERED FINAL
UNLESS ALL SIGNATURES COMPLETED**

	Prepared for the Offices of: Fuquay-Varina Signal System Fiber-Optic Splicing Details		SEAL NORTH CAROLINA PROFESSIONAL SEAL 040877 ENGINEER BRADFORD J. SLOCUM
	Division 5 Wake County Fuquay-Varina PLAN DATE: August 2022 PREPARED BY: JT Stiff	REVIEWED BY: BJ Slocum REVIEWED BY: MB Toth	
SCALE N/A	REVISIONS	INIT. DATE	CADD Filename: Splice-01.dgn

16-MAR-2023 17:06
 p:\7\305003634\wshk\ins.com\ATKMANC01\Documents\Roads and Bridges\Projects\100063268 Fuquay Varina\Task 11_Comms\Splice-01.dgn
 S:\P4685



16-MAR-2023 17:06
P:\7\3\US003634\wshk\ins.com\ATKMANC01\Documents\Roads and Bridges\Projects\100063268 Fuquay Varina\Task 11_Comms\Splice-02.dgn
S:\P\4685 AT US491089

LEGEND

COLOR CODE TIA/EIA 598-B		X = FUSION SPLICE INDIVIDUAL FIBER
(1) BLUE	(7) RED	C = CAP AND SEAL
(2) ORANGE	(8) BLACK	EXPRESS
(3) GREEN	(9) YELLOW	EXPRESS ENTIRE BUFFER TUBE / FIBERS THROUGH WITHOUT CUTTING
(4) BROWN	(10) VIOLET	BUFFER SPLICE
(5) SLATE	(11) ROSE	SPLICE ALL FIBERS IN BUFFER TUBE COLOR TO COLOR
(6) WHITE	(12) AQUA	EXISTING
		EXISTING BUFFER TUBE / FIBERS. DO NOT MODIFY EXISTING SPLICES OR EXPRESSED FIBERS.

NOTES

- UNUSED FIBERS LEFT COILED AND STORED IN SPLICE TRAY
- UNUSED BUFFER TUBES LEFT COILED AND STORED IN SPLICE ENCLOSURE
- EDGE SWITCH CONFIGURATIONS ARE GENERIC. CONTRACTOR IS RESPONSIBLE FOR DETERMINING/ENSURING THE PROPER TERMINATIONS.



1616 EAST MILLBROOK ROAD, SUITE 160
RALEIGH, NORTH CAROLINA 27609
(919) 876-6888 NCBEES #F-0326

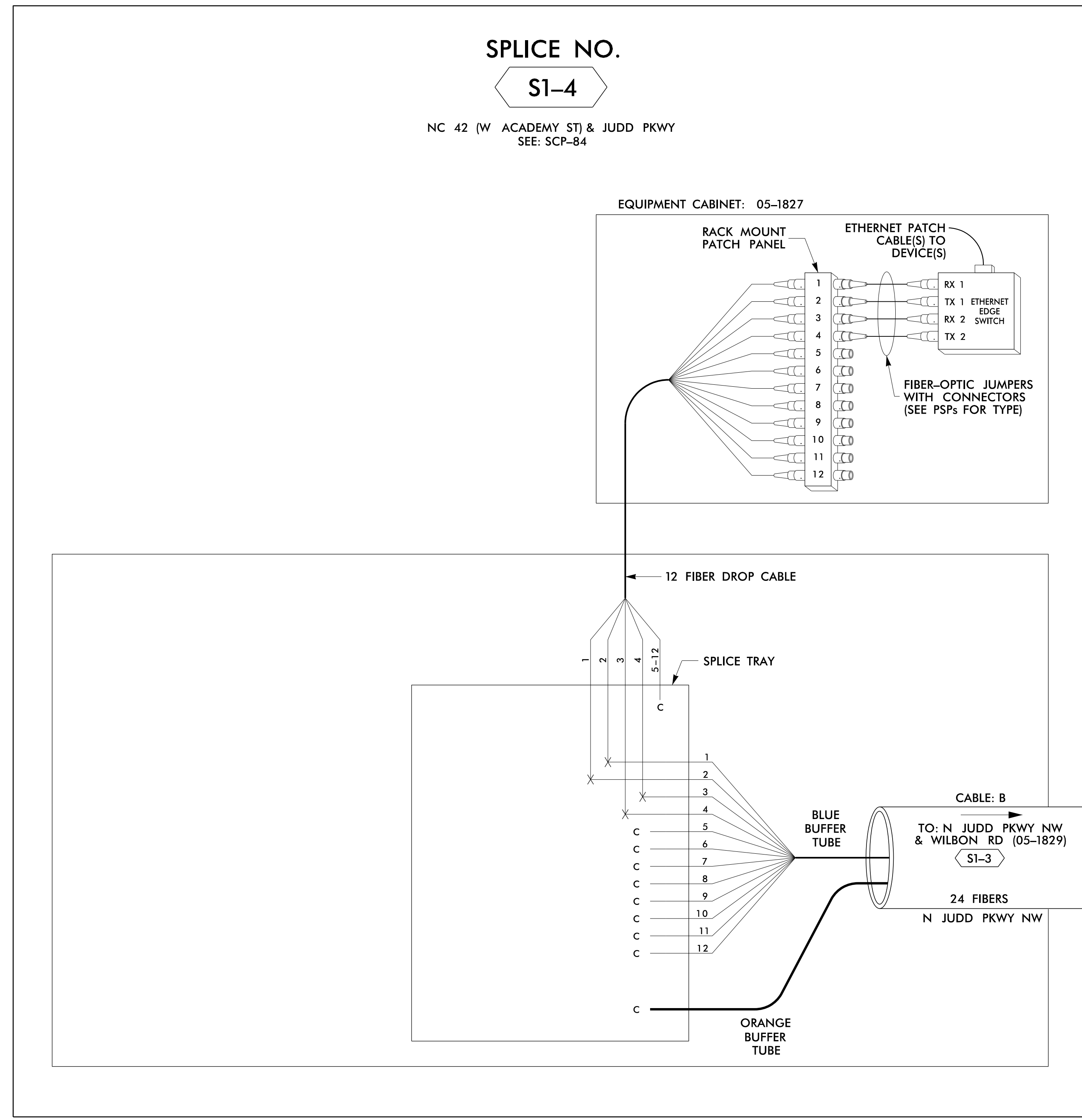
DOCUMENT NOT CONSIDERED FINAL UNLESS ALL SIGNATURES COMPLETED

	Fuquay-Varina Signal System Fiber-Optic Splicing Details		
	Division 5 Wake County Fuquay-Varina PLAN DATE: August 2022 PREPARED BY: JT Stiff	REVIEWED BY: BJ Slocum REVIEWED BY: MB Toth	
REVISIONS:		INIT. DATE:	SEAL:
CADD Filename: Splice-02.dgn		DATE:	DATE:

SPLICE NO.

S1-4

NC 42 (W ACADEMY ST) & JUDD PKWY
SEE: SCP-84



16-MAR-2023 17:06 P:\7\305003634\wshk\ins.com\ATKMANC01\Documents\Roads and Bridges\Projects\100063268 Fuquay Varina\Task 11_Comms\Splice-03.dgn S:\P\4685

ATKINS 1616 EAST MILLBROOK ROAD, SUITE 160
RALEIGH, NORTH CAROLINA 27609
(919) 876-6888 NCBEES #F-0326

DOCUMENT NOT CONSIDERED FINAL UNLESS ALL SIGNATURES COMPLETED

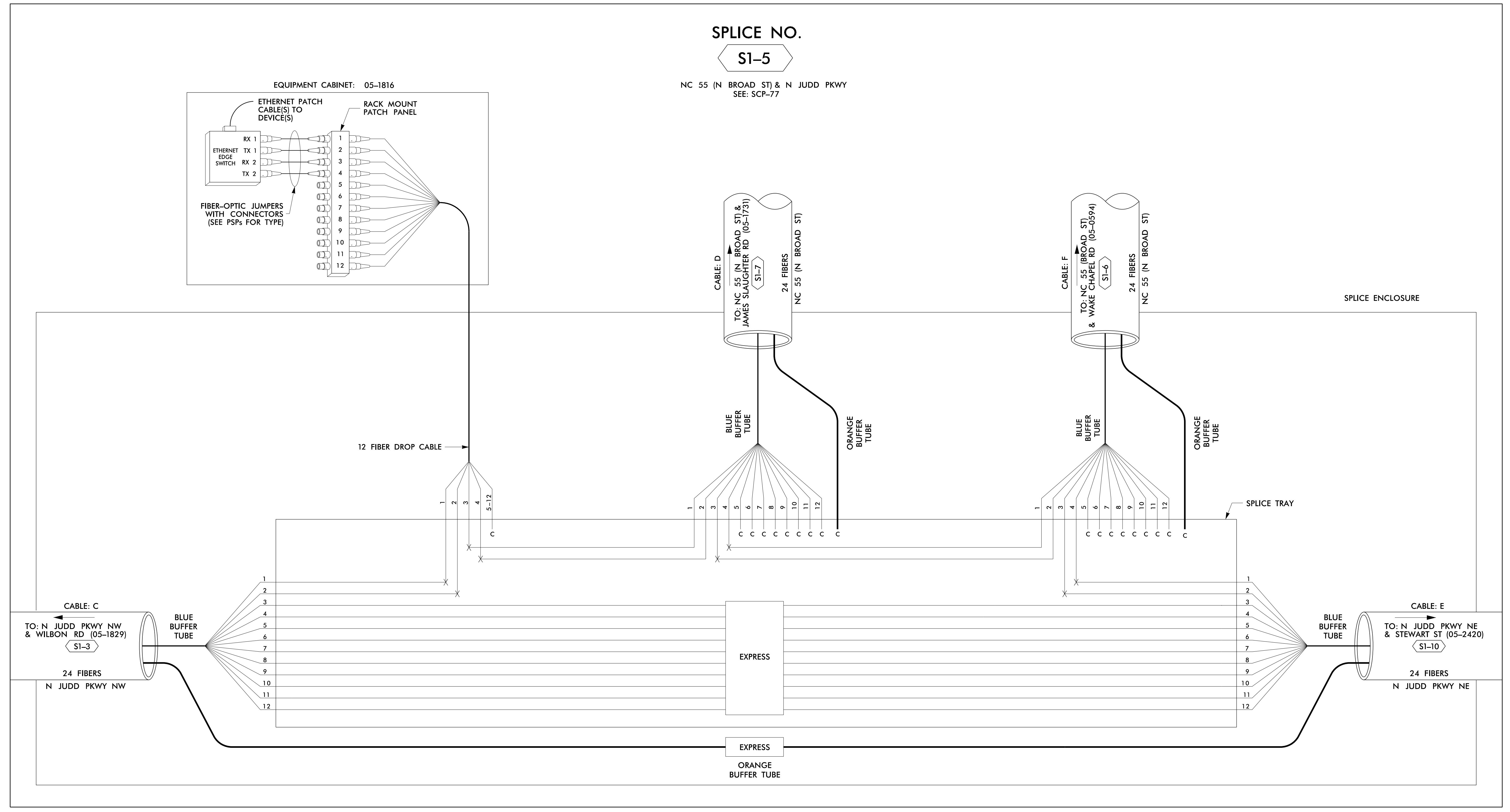
COLOR CODE		TIA/EIA 598-B	
(1) BLUE	(7) RED	EXPRESS	EXPRESS ENTIRE BUFFER TUBE / FIBERS THROUGH WITHOUT CUTTING
(2) ORANGE	(8) BLACK	BUFFER SPLICE	SPLICE ALL FIBERS IN BUFFER TUBE COLOR TO COLOR
(3) GREEN	(9) YELLOW	EXISTING	EXISTING BUFFER TUBE / FIBERS. DO NOT MODIFY EXISTING SPLICES OR EXPRESSED FIBERS.
(4) BROWN	(10) VIOLET		
(5) SLATE	(11) ROSE		
(6) WHITE	(12) AQUA		

- ### NOTES
- UNUSED FIBERS LEFT COILED AND STORED IN SPLICE TRAY
 - UNUSED BUFFER TUBES LEFT COILED AND STORED IN SPLICE ENCLOSURE
 - EDGE SWITCH CONFIGURATIONS ARE GENERIC. CONTRACTOR IS RESPONSIBLE FOR DETERMINING/ENSURING THE PROPER TERMINATIONS.

	Fuquay-Varina Signal System Fiber-Optic Splicing Details		
	Division 5 Wake County Fuquay-Varina PLAN DATE: August 2022 PREPARED BY: JT Stiff	REVIEWED BY: BJ Slocum REVIEWED BY: MB Toth	
CADD Filename: Splice-03.dgn			

SPLICE NO.
S1-5

NC 55 (N BROAD ST) & N JUDD PKWY
SEE: SCP-77



LEGEND

COLOR CODE TIA/EIA 598-B		X = FUSION SPLICE INDIVIDUAL FIBER
(1) BLUE	(7) RED	C = CAP AND SEAL
(2) ORANGE	(8) BLACK	EXPRESS ENTIRE BUFFER TUBE / FIBERS THROUGH WITHOUT CUTTING
(3) GREEN	(9) YELLOW	BUFFER SPLICE SPLICE ALL FIBERS IN BUFFER TUBE COLOR TO COLOR
(4) BROWN	(10) VIOLET	EXISTING BUFFER TUBE / FIBERS. DO NOT MODIFY EXISTING SPLICES OR EXPRESSED FIBERS.
(5) SLATE	(11) ROSE	
(6) WHITE	(12) AQUA	

NOTES

- UNUSED FIBERS LEFT COILED AND STORED IN SPLICE TRAY
- UNUSED BUFFER TUBES LEFT COILED AND STORED IN SPLICE ENCLOSURE
- EDGE SWITCH CONFIGURATIONS ARE GENERIC. CONTRACTOR IS RESPONSIBLE FOR DETERMINING/ENSURING THE PROPER TERMINATIONS.

ATKINS

1616 EAST MILLBROOK ROAD, SUITE 160
RALEIGH, NORTH CAROLINA 27609
(919) 876-6888 NCBEES #F-0326

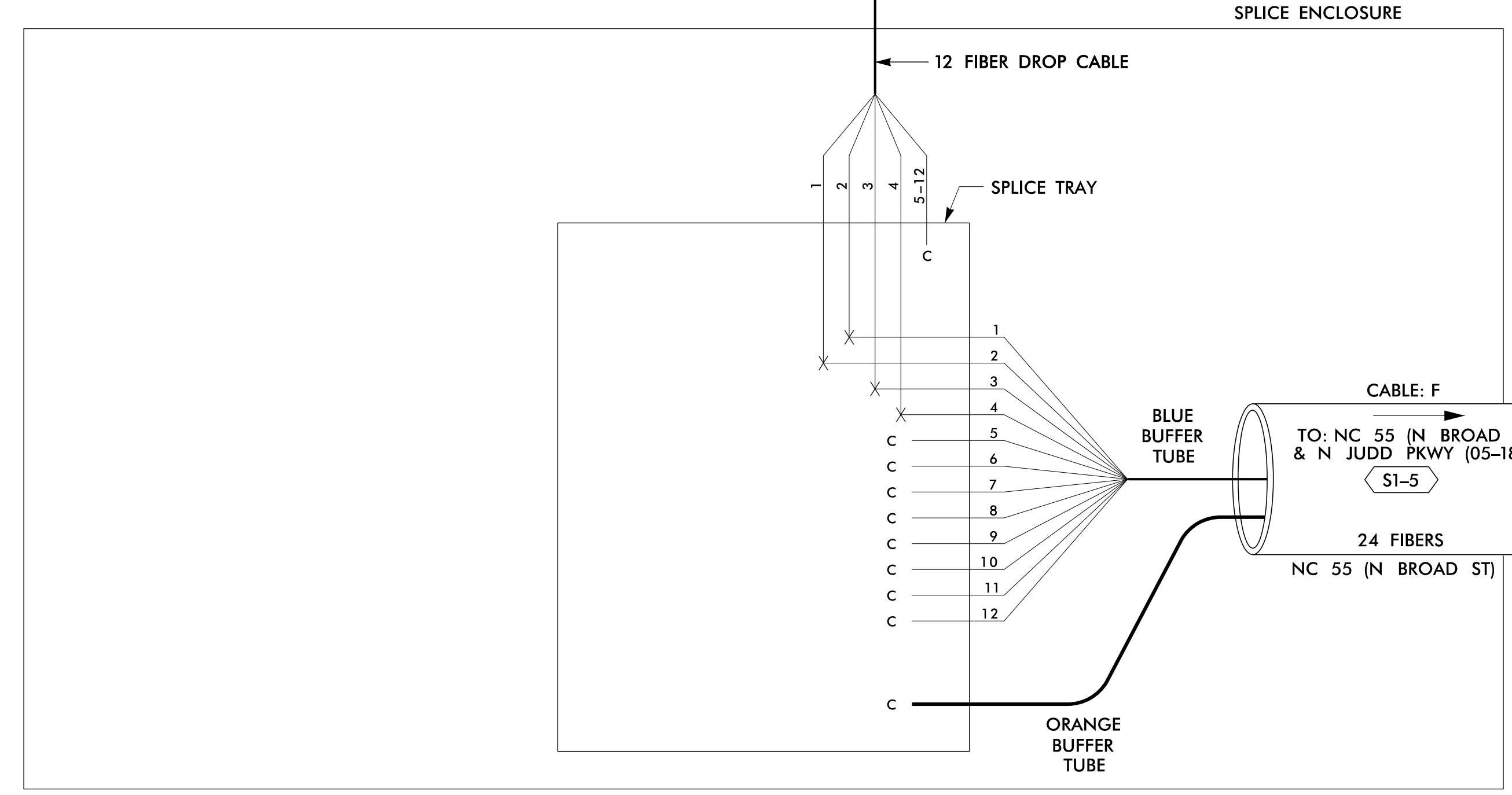
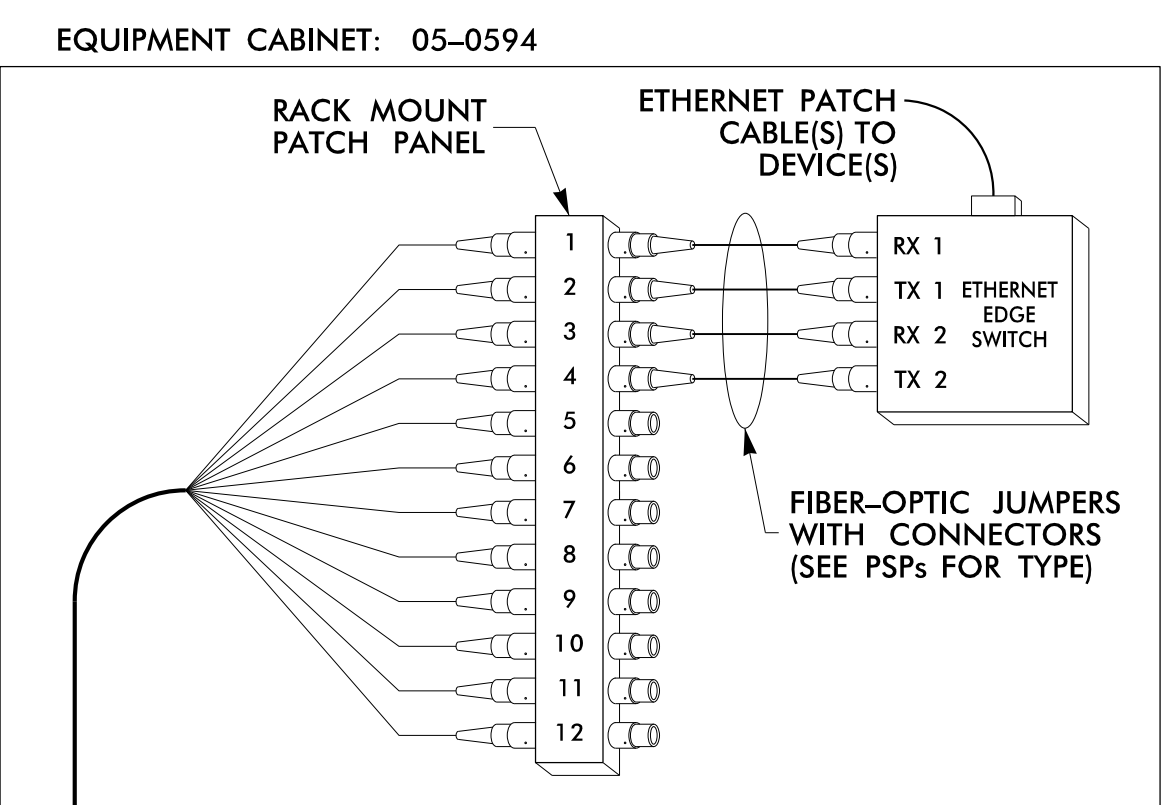
DOCUMENT NOT CONSIDERED FINAL UNLESS ALL SIGNATURES COMPLETED

	Fuquay-Varina Signal System Fiber-Optic Splicing Details		
	Division 5 Wake County Fuquay-Varina PLAN DATE: August 2022 PREPARED BY: JT Stiff	REVIEWED BY: BJ Slocum REVIEWED BY: MB Toth	
CADD File Name: Splice-04.dgn			

16-MAR-2023 17:07
 p:\7\3\30303634\wshk\ins.com\ATKMANC01\Documents\Roads and Bridges\Projects\100063268 Fuquay Varina\Task 11_Comms\Splice-04.dgn
 S:\P4685 AT LUS491089

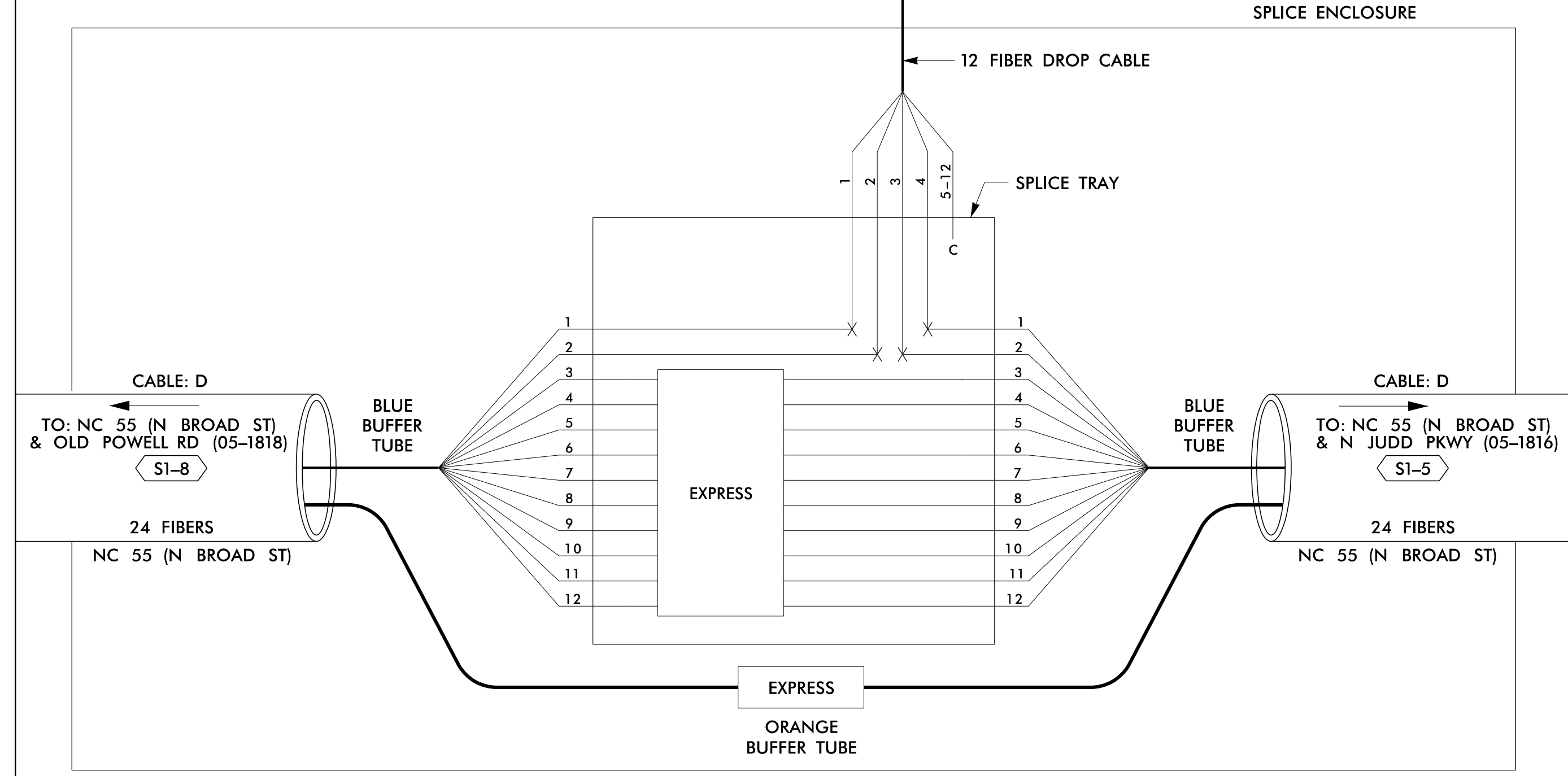
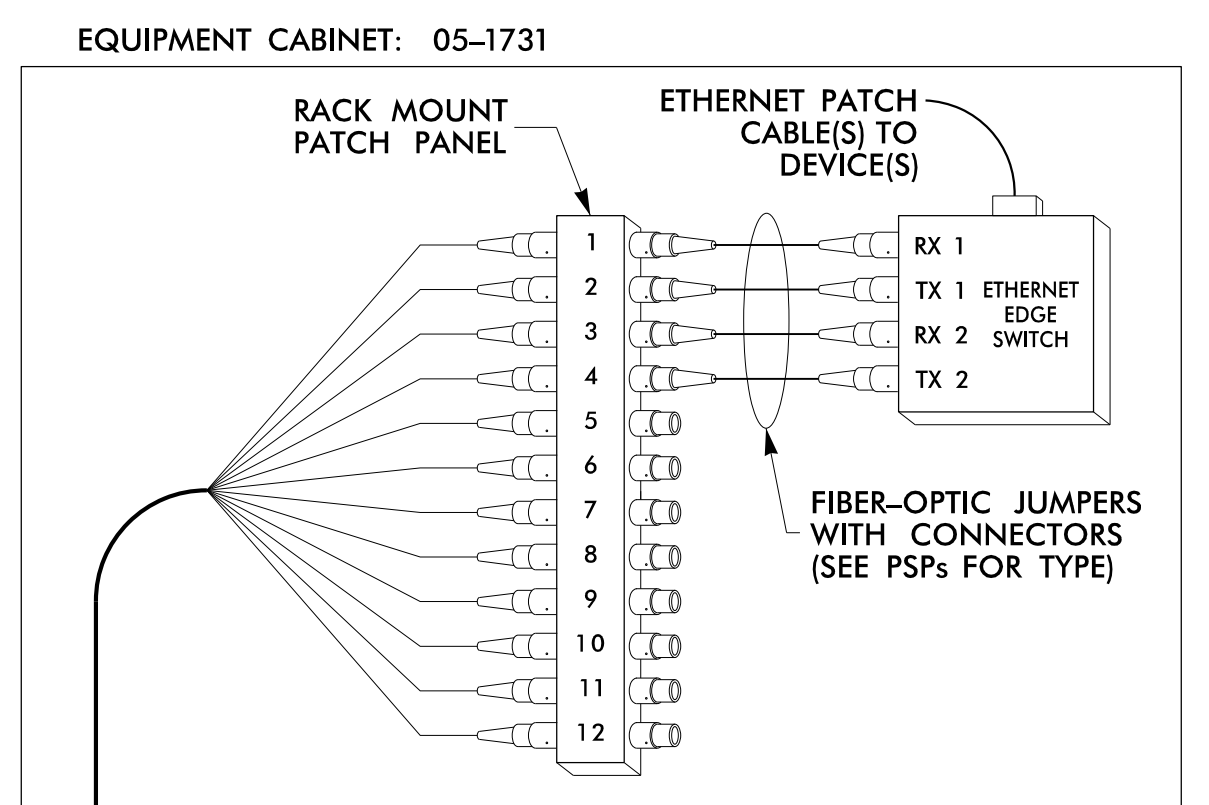
SPLICE NO.
S1-6

NC 55 (BROAD ST) & WAKE CHAPEL RD
SEE: SCP-78



SPLICE NO.
S1-7

NC 55 (N BROAD ST) & JAMES SLAUGHTER RD
SEE: SCP-76



16-MAR-2023 17:07 p:\7\305003634\wsc\h\ins.com\ATK\N\NC01\Documents\Roads and Bridges\Projects\100063268 Fuquay Varina\Task 11_Comms\Splice-05.dgn S1F4685 AT U3491089

LEGEND

COLOR CODE TIA/EIA 598-B		X = FUSION SPLICE INDIVIDUAL FIBER
(1) BLUE	(7) RED	C = CAP AND SEAL
(2) ORANGE	(8) BLACK	EXPRESS ENTIRE BUFFER TUBE/FIBERS THROUGH WITHOUT CUTTING
(3) GREEN	(9) YELLOW	BUFFER SPLICE SPLICE ALL FIBERS IN BUFFER TUBE COLOR TO COLOR
(4) BROWN	(10) VIOLET	EXISTING BUFFER TUBE/FIBERS. DO NOT MODIFY EXISTING SPLICES OR EXPRESSED FIBERS.
(5) SLATE	(11) ROSE	
(6) WHITE	(12) AQUA	

NOTES

- UNUSED FIBERS LEFT COILED AND STORED IN SPLICE TRAY
- UNUSED BUFFER TUBES LEFT COILED AND STORED IN SPLICE ENCLOSURE
- EDGE SWITCH CONFIGURATIONS ARE GENERIC. CONTRACTOR IS RESPONSIBLE FOR DETERMINING/ENSURING THE PROPER TERMINATIONS.

ATKINS

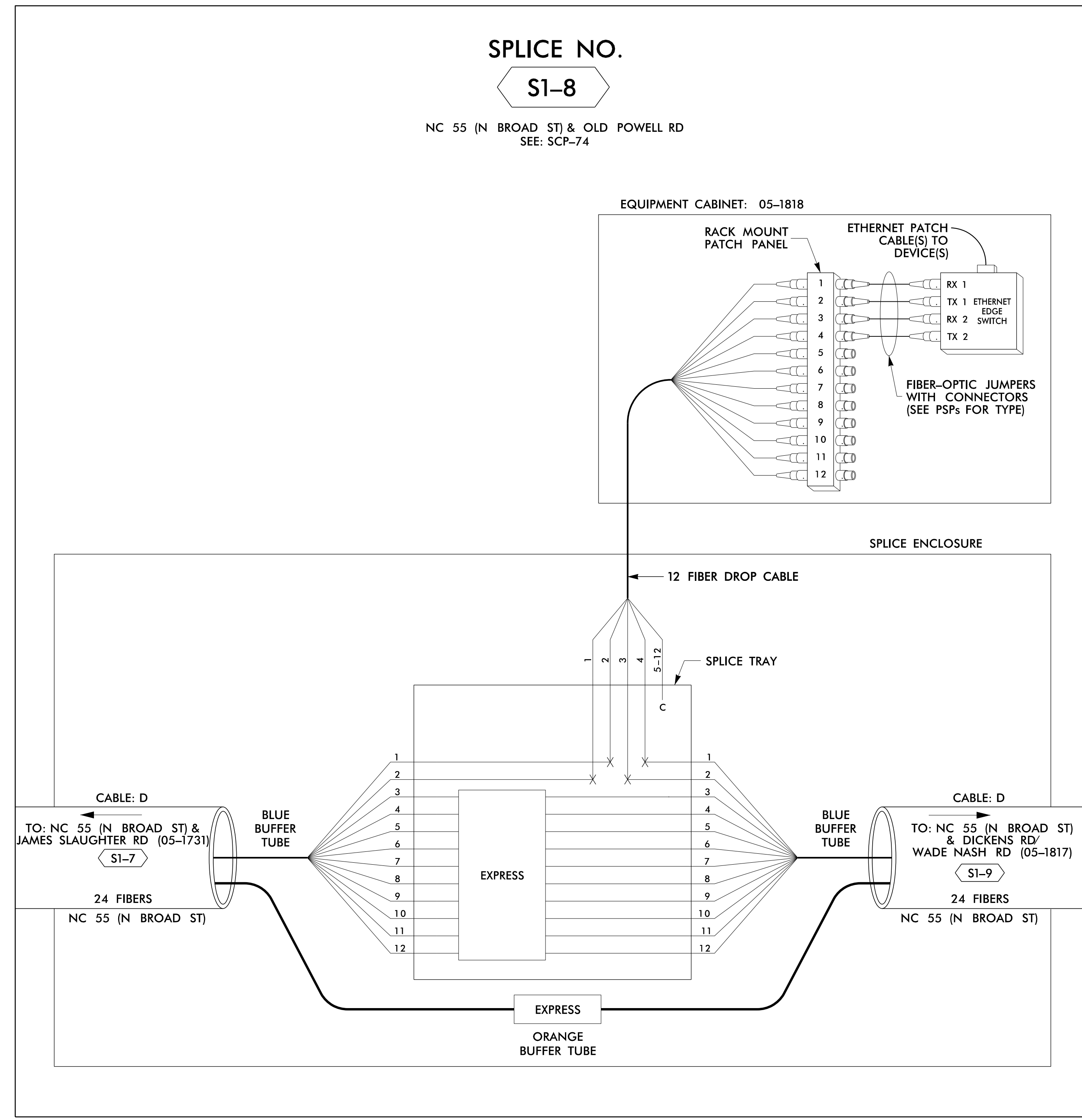
1616 EAST MILLBROOK ROAD, SUITE 160
RALEIGH, NORTH CAROLINA 27609
(919) 876-6888 NCBEES #F-0326

DOCUMENT NOT CONSIDERED FINAL
UNLESS ALL SIGNATURES COMPLETED

	Prepared for the Offices of: Fuquay-Varina Signal System Fiber-Optic Splicing Details		SEAL NORTH CAROLINA PROFESSIONAL SEAL 040877 ENGINEER BRADFORD J. SLOCUM
	Division 5 Wake County Fuquay-Varina PLAN DATE: August 2022 PREPARED BY: JT Stiff	REVIEWED BY: BJ Slocum REVIEWED BY: MB Toth	
REVISIONS		INIT. DATE	4/14/2023 DATE CADD Filename: Splice-05.dgn

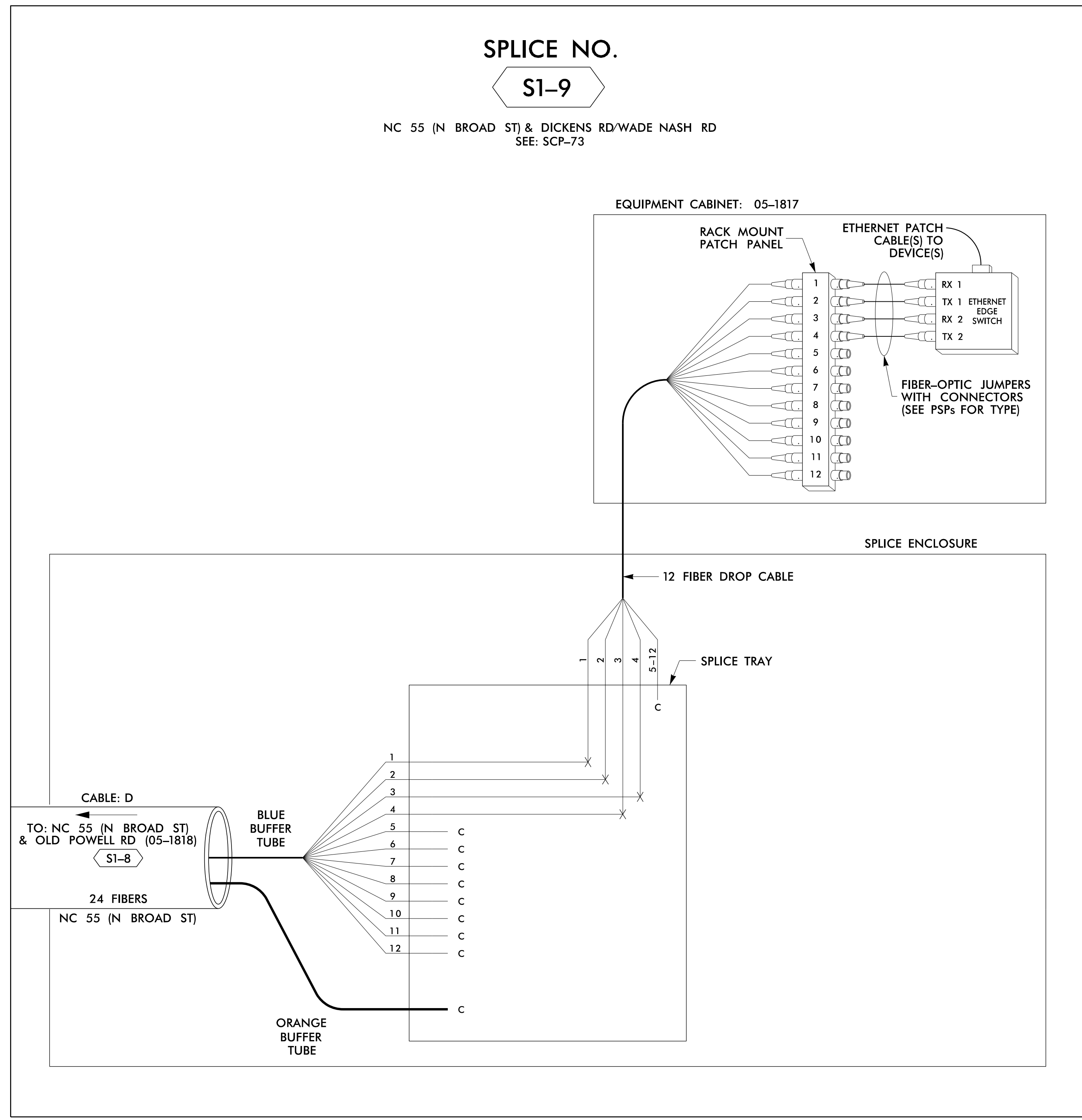
SPLICE NO.
S1-8

NC 55 (N BROAD ST) & OLD POWELL RD
SEE: SCP-74



SPLICE NO.
S1-9

NC 55 (N BROAD ST) & DICKENS RD/WADE NASH RD
SEE: SCP-73



LEGEND

COLOR CODE TIA/EIA 598-B		X = FUSION SPLICE INDIVIDUAL FIBER
(1) BLUE	(7) RED	EXPRESS
(2) ORANGE	(8) BLACK	EXPRESS ENTIRE BUFFER TUBE / FIBERS THROUGH WITHOUT CUTTING
(3) GREEN	(9) YELLOW	BUFFER SPLICE
(4) BROWN	(10) VIOLET	SPLICE ALL FIBERS IN BUFFER TUBE COLOR TO COLOR
(5) SLATE	(11) ROSE	EXISTING
(6) WHITE	(12) AQUA	EXISTING BUFFER TUBE / FIBERS. DO NOT MODIFY EXISTING SPLICES OR EXPRESSED FIBERS.

NOTES

- UNUSED FIBERS LEFT COILED AND STORED IN SPLICE TRAY
- UNUSED BUFFER TUBES LEFT COILED AND STORED IN SPLICE ENCLOSURE
- EDGE SWITCH CONFIGURATIONS ARE GENERIC. CONTRACTOR IS RESPONSIBLE FOR DETERMINING/ENSURING THE PROPER TERMINATIONS.



1616 EAST MILLBROOK ROAD, SUITE 160
RALEIGH, NORTH CAROLINA 27609
(919) 876-6888 NCBEES #F-0326

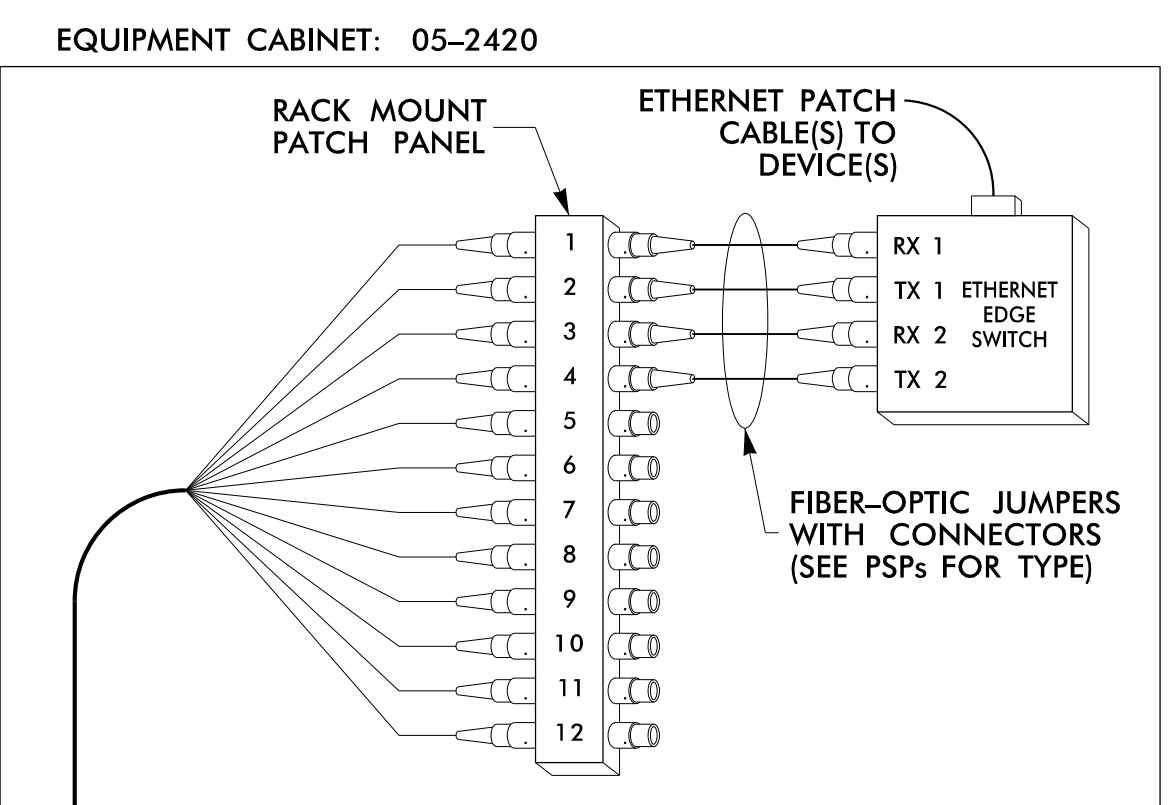
DOCUMENT NOT CONSIDERED FINAL
UNLESS ALL SIGNATURES COMPLETED

	<p>Fuquay-Varina Signal System Fiber-Optic Splicing Details</p>		
	<p>Division 5 Wake County Fuquay-Varina</p>	<p>PLAN DATE: August 2022</p>	
<p>750 Greenfield Parkway, Garner, NC 27529</p>	<p>PREPARED BY: JT Stiff</p>	<p>REVIEWED BY: MB Toth</p>	<p>DATE</p>
<p>SCALE</p>	<p>REVISIONS</p>	<p>INIT.</p>	<p>DATE</p>
<p>N/A</p>	<p>.....</p>	<p>.....</p>	<p>.....</p>
<p>CADD Filename: Splice-06.dgn</p>			<p>4/14/2023</p>

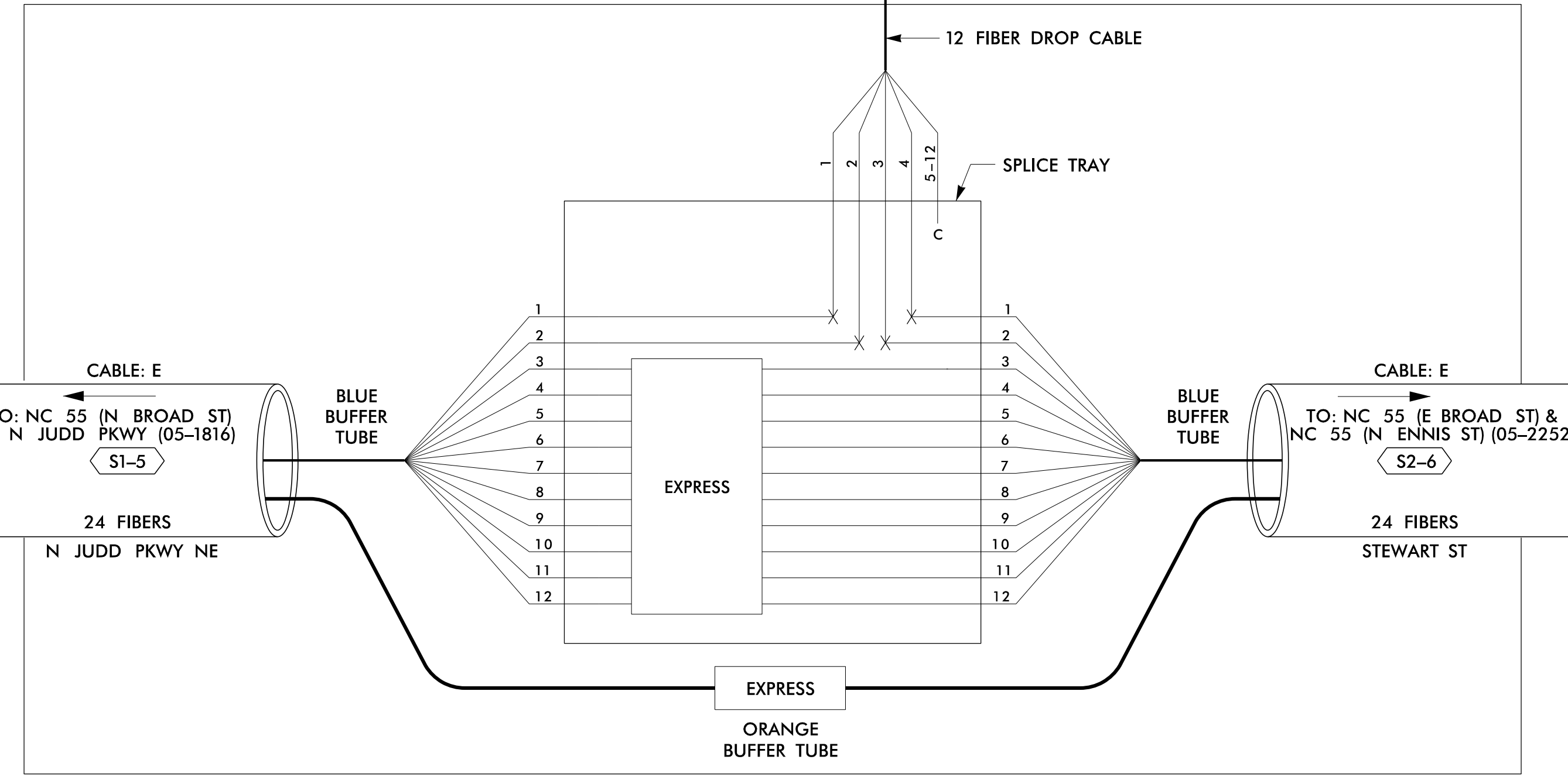
16-MAR-2023 17:07
 p:\7\305003634\wshk\ins.com\ATK\NANC01\Documents\Roads and Bridges\Projects\100063268 Fuquay Varina\Task 11_Comms\Splice-06.dgn
 S:\P\4685 AT U3491089

SPLICE NO.
S1-10

N JUDD PKWY NE & STEWART ST
SEE: SCP-81

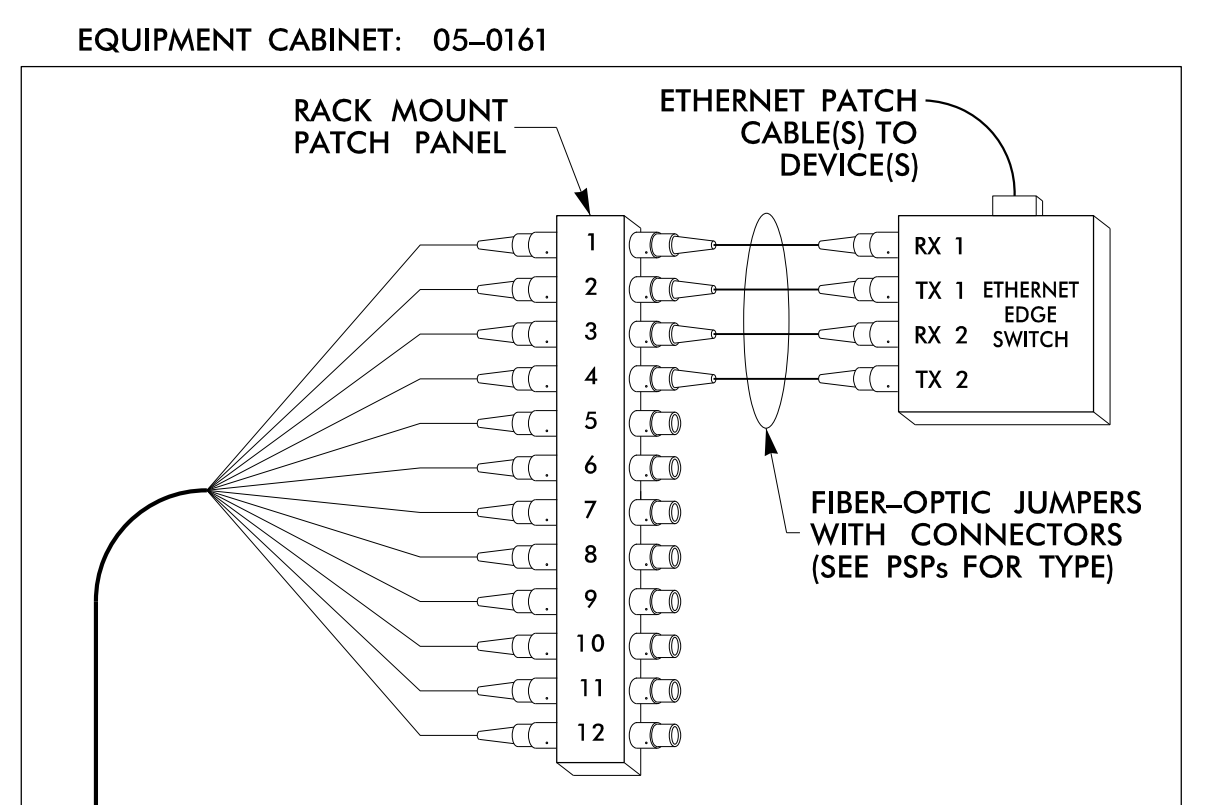


SPLICE ENCLOSURE

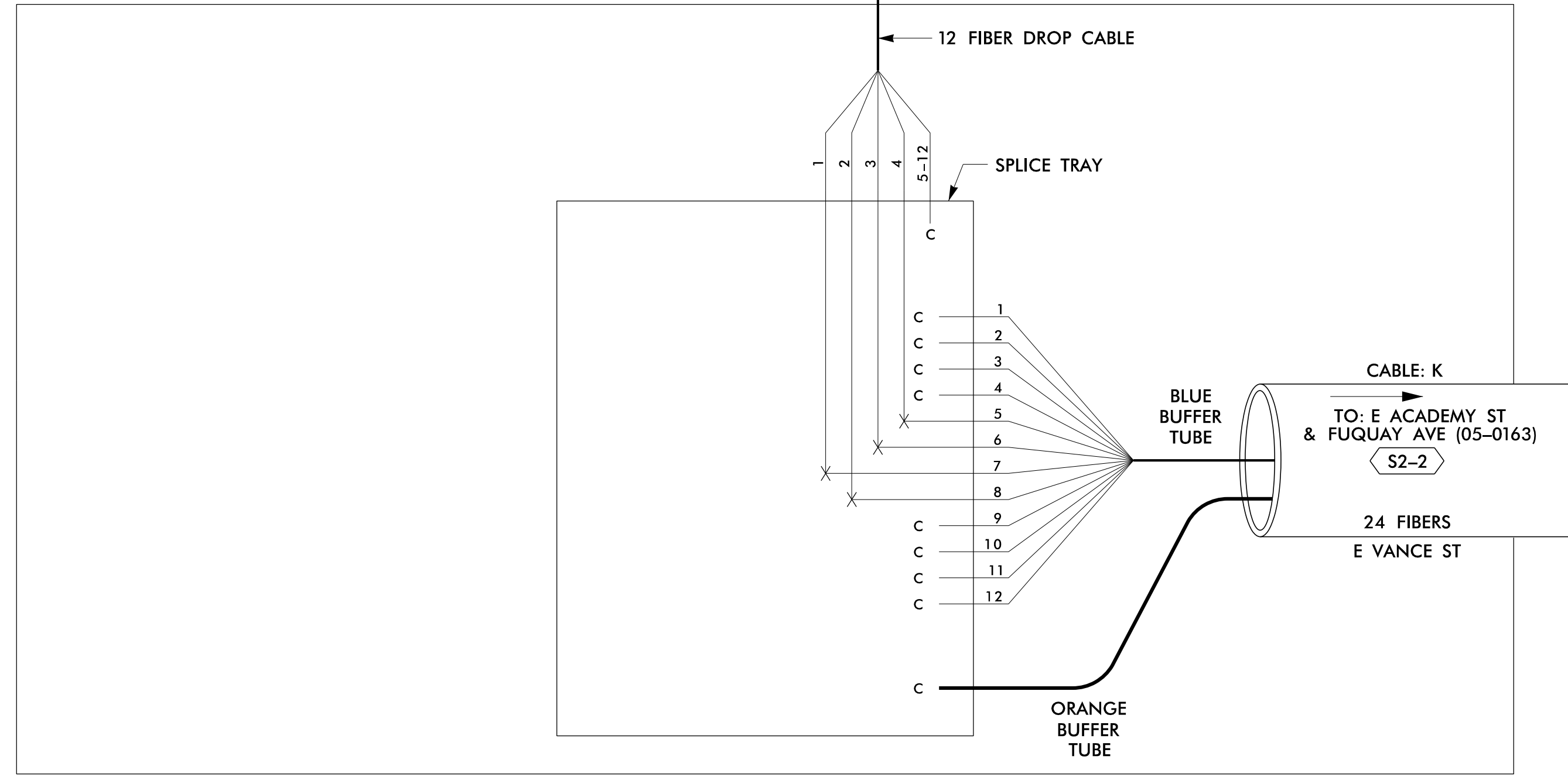


SPLICE NO.
S2-1

US 401 (S MAIN ST) & VANCE ST
SEE: SCP-06



SPLICE ENCLOSURE



LEGEND

COLOR CODE TIA/EIA 598-B		X = FUSION SPLICE INDIVIDUAL FIBER
(1) BLUE	(7) RED	EXPRESS = EXPRESS ENTIRE BUFFER TUBE / FIBERS THROUGH WITHOUT CUTTING
(2) ORANGE	(8) BLACK	BUFFER SPLICE = SPLICE ALL FIBERS IN BUFFER TUBE COLOR TO COLOR
(3) GREEN	(9) YELLOW	EXISTING = EXISTING BUFFER TUBE / FIBERS. DO NOT MODIFY EXISTING SPLICES OR EXPRESSED FIBERS.
(4) BROWN	(10) VIOLET	
(5) SLATE	(11) ROSE	
(6) WHITE	(12) AQUA	

NOTES

- UNUSED FIBERS LEFT COILED AND STORED IN SPLICE TRAY
- UNUSED BUFFER TUBES LEFT COILED AND STORED IN SPLICE ENCLOSURE
- EDGE SWITCH CONFIGURATIONS ARE GENERIC. CONTRACTOR IS RESPONSIBLE FOR DETERMINING/ENSURING THE PROPER TERMINATIONS.

ATKINS

1616 EAST MILLBROOK ROAD, SUITE 160
RALEIGH, NORTH CAROLINA 27609
(919) 876-6888 NCBEES #F-0326

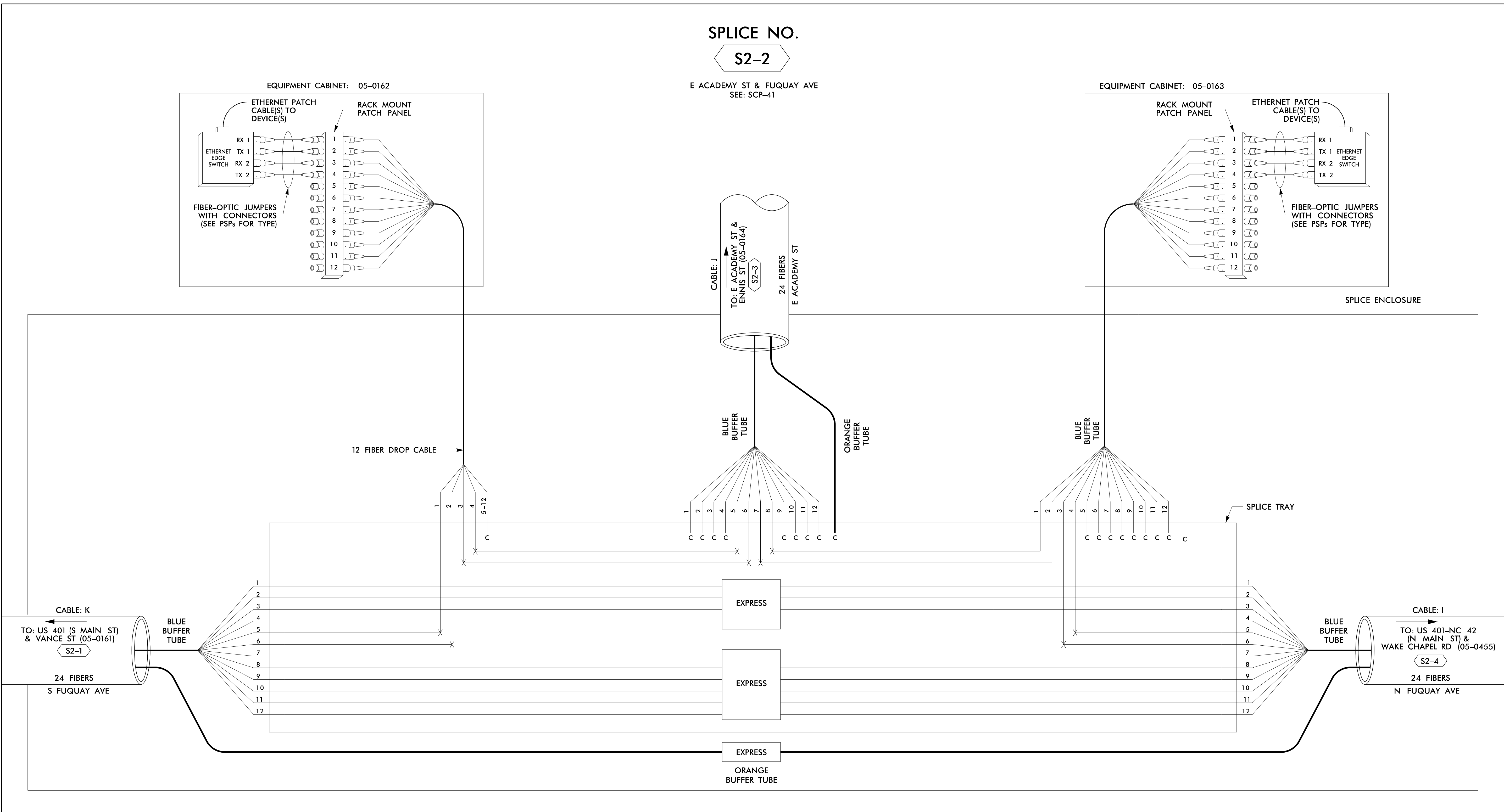
DOCUMENT NOT CONSIDERED FINAL UNLESS ALL SIGNATURES COMPLETED

	Fuquay-Varina Signal System Fiber-Optic Splicing Details		
	Division 5 Wake County Fuquay-Varina PLAN DATE: August 2022 PREPARED BY: JT Stiff	REVIEWED BY: BJ Slocum REVIEWED BY: MB Toth	

16-MAR-2023 17:07
 p:\7\305003634\wshk\ins.com\ATKMANC01\Documents\Roads and Bridges\Projects\100063268 Fuquay Varina\Task 11_Comms\Splice-07.dgn
 S:\114685 AT U3491089

SPLICE NO.
S2-2

E ACADEMY ST & FUQUAY AVE
SEE: SCP-41



16-MAR-2023 17:07 p:\7\3\US003634\wshk\ins.com\TKMANC01\Documents\Roads and Bridges\Projects\100063208 Fuquay Varina\Task 11_Comms\Splice-08.dgn SIF14685 AT US491089

LEGEND

COLOR CODE TIA/EIA 598-B		X = FUSION SPLICE INDIVIDUAL FIBER
(1) BLUE	(7) RED	C = CAP AND SEAL
(2) ORANGE	(8) BLACK	EXPRESS ENTIRE BUFFER TUBE / FIBERS THROUGH WITHOUT CUTTING
(3) GREEN	(9) YELLOW	BUFFER SPLICE SPLICE ALL FIBERS IN BUFFER TUBE COLOR TO COLOR
(4) BROWN	(10) VIOLET	EXISTING BUFFER TUBE / FIBERS. DO NOT MODIFY EXISTING SPLICES OR EXPRESSED FIBERS.
(5) SLATE	(11) ROSE	
(6) WHITE	(12) AQUA	

NOTES

- UNUSED FIBERS LEFT COILED AND STORED IN SPLICE TRAY
- UNUSED BUFFER TUBES LEFT COILED AND STORED IN SPLICE ENCLOSURE
- EDGE SWITCH CONFIGURATIONS ARE GENERIC. CONTRACTOR IS RESPONSIBLE FOR DETERMINING/ENSURING THE PROPER TERMINATIONS.

ATKINS

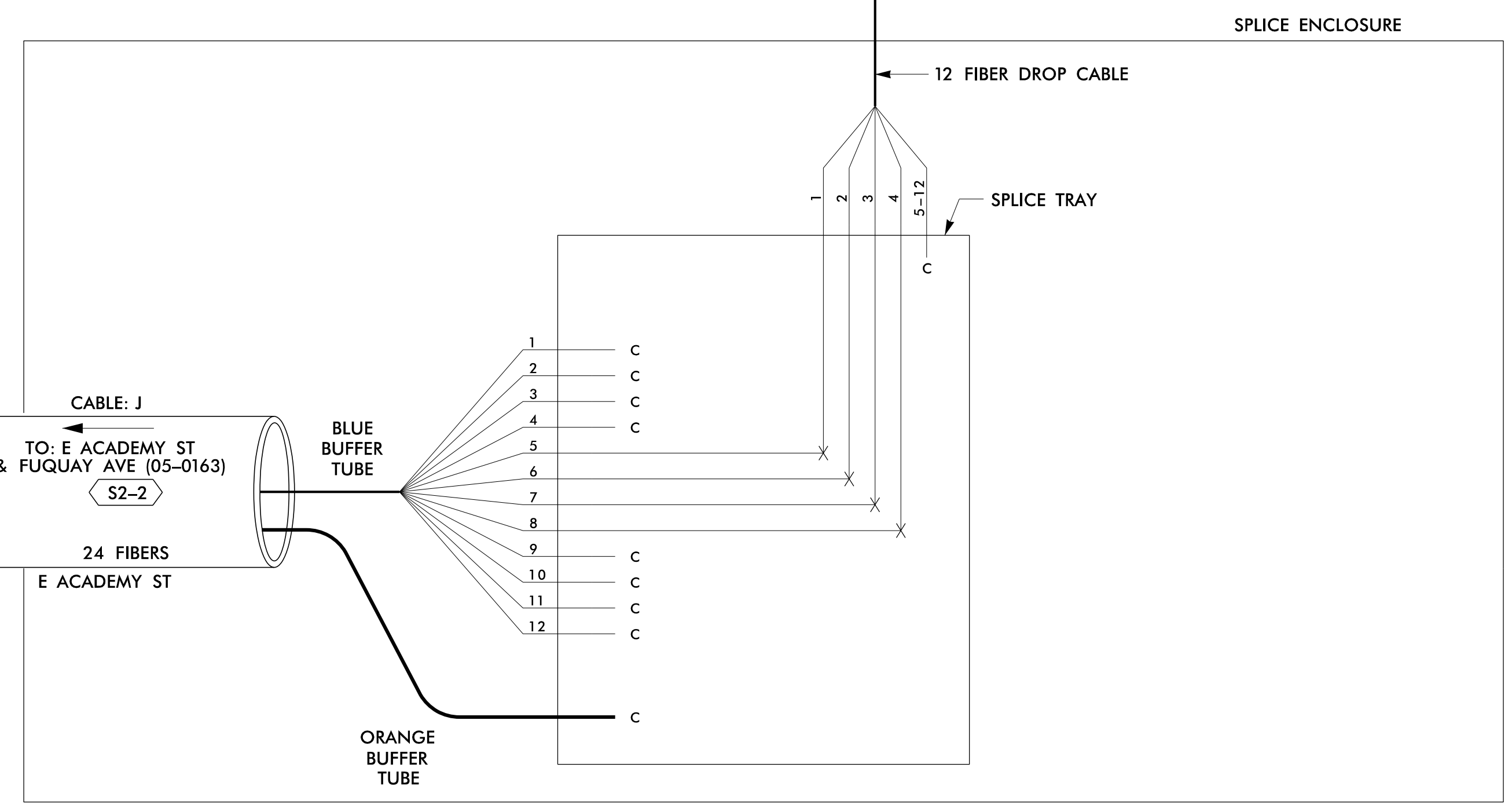
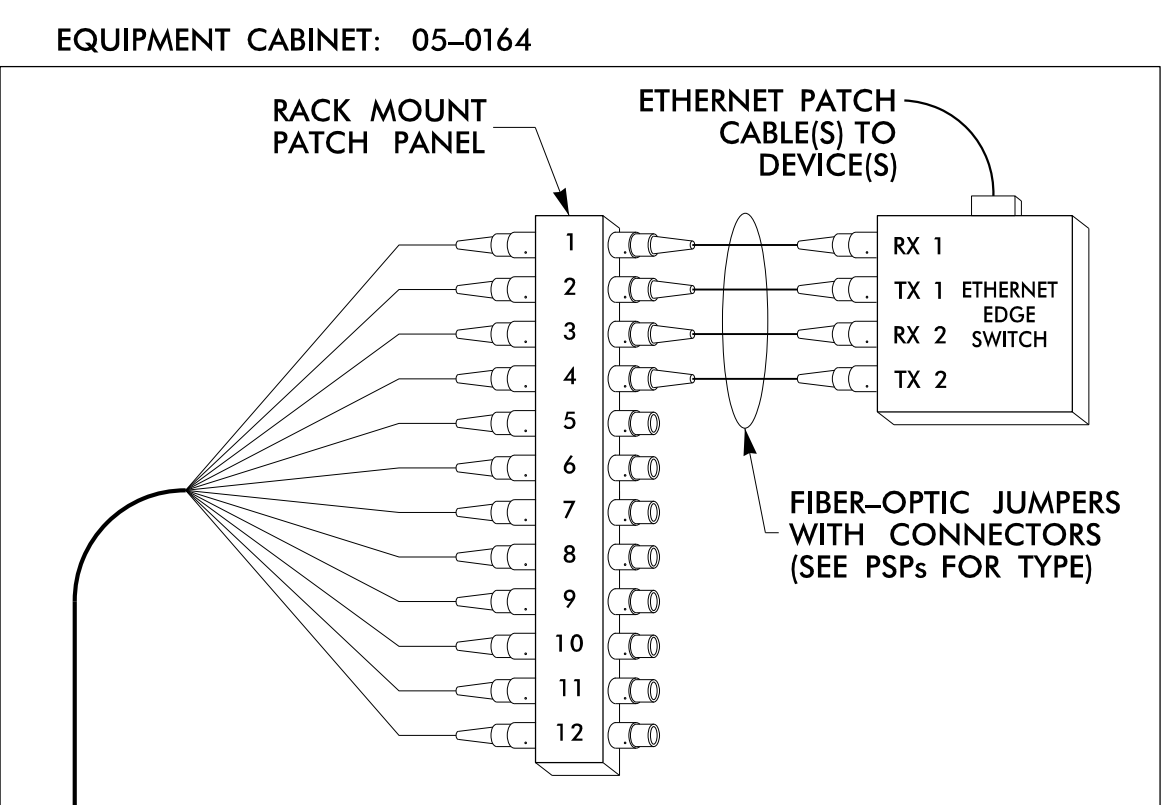
1616 EAST MILLBROOK ROAD, SUITE 160
RALEIGH, NORTH CAROLINA 27609
(919) 876-6888 NCBEES #F-0326

DOCUMENT NOT CONSIDERED FINAL
UNLESS ALL SIGNATURES COMPLETED

	<p>Prepared for the Offices of:</p> <p>Fuquay-Varina Signal System Fiber-Optic Splicing Details</p>		<p>SEAL</p> <p>NORTH CAROLINA PROFESSIONAL ENGINEER</p> <p>SEAL 040877</p> <p>BRADFORD J. SLOCUM</p>
	<p>Division 5 Wake County Fuquay-Varina</p> <p>PLAN DATE: August 2022</p> <p>PREPARED BY: JT Stiff</p>	<p>REVIEWED BY: BJ Slocum</p> <p>REVIEWED BY: MB Toth</p>	
<p>750 Greenfield Parkway, Garner, NC 27529</p> <p>SCALE: N/A</p>	<p>REVISIONS</p>	<p>INIT. DATE</p>	<p>4/14/2023</p> <p>DATE</p> <p>CADD Filename: Splice-08.dgn</p>

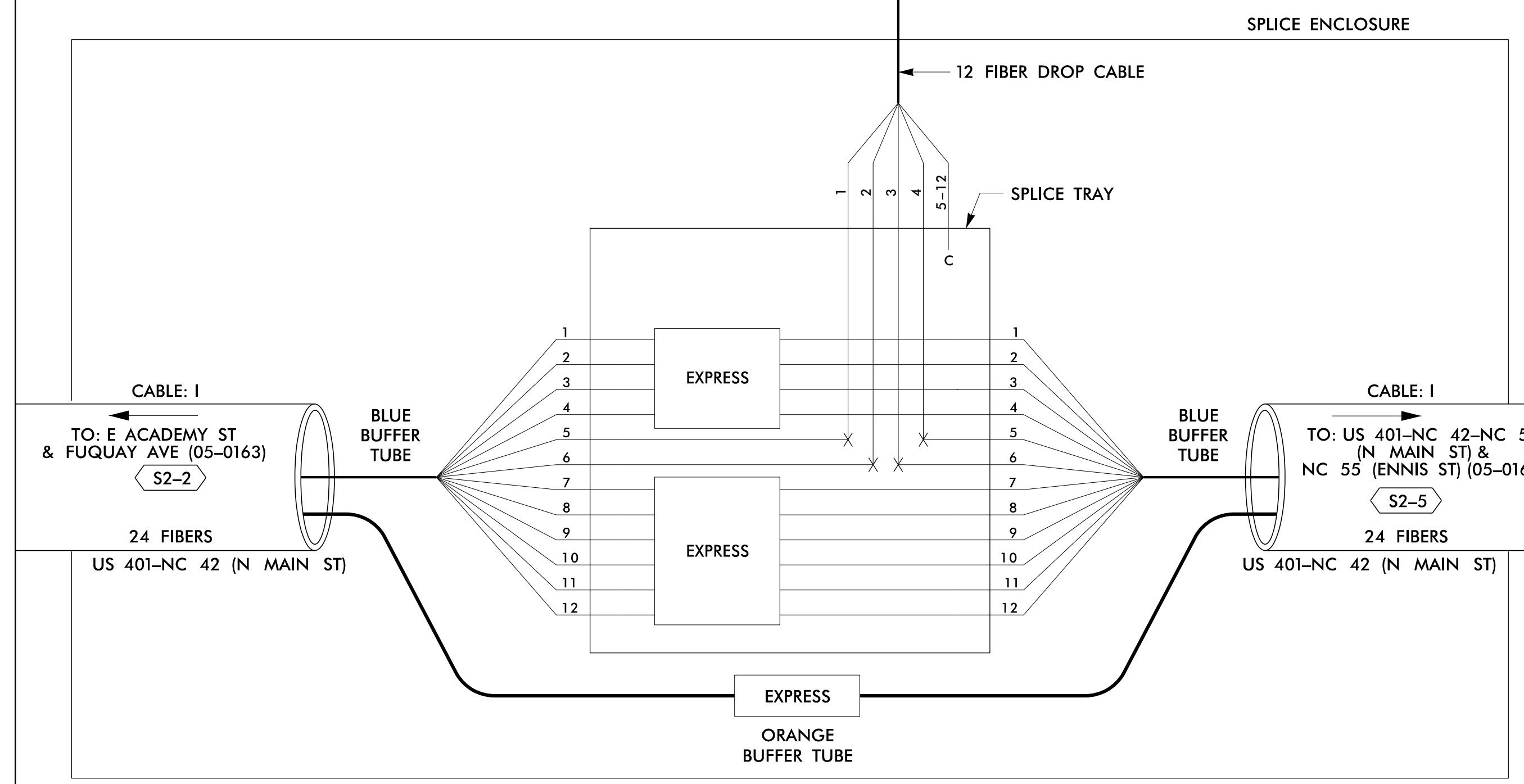
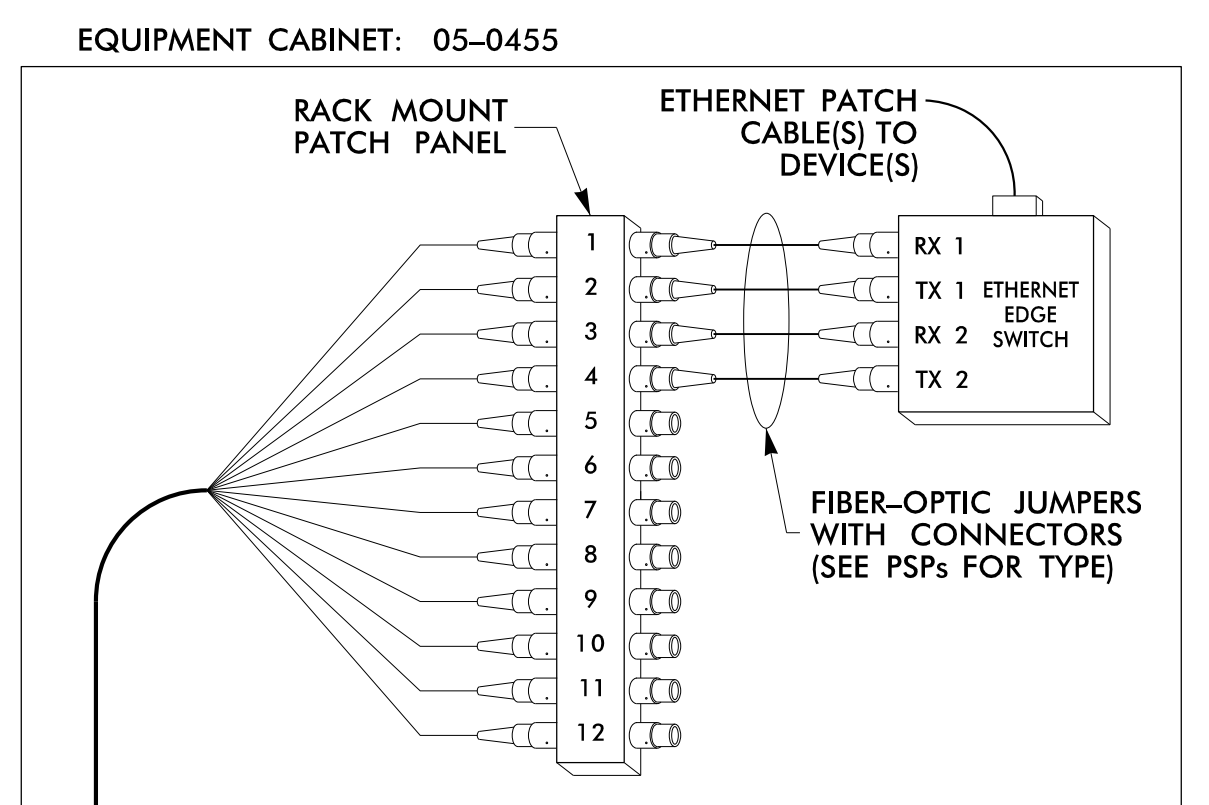
SPLICE NO.
S2-3

E ACADEMY ST & ENNIS ST
SEE: SCP-41



SPLICE NO.
S2-4

US 401-NC 42 (N MAIN ST) & WAKE CHAPEL RD
SEE: SCP-08



16-MAR-2023 17:07 p:\7\3\US003634\wshk\ins.com\ATKMANC01\Documents\Roads and Bridges\Projects\100063268 Fuquay Varina\Task 11_Comms\Splice-09.dgn AT U3491089

LEGEND

COLOR CODE TIA/EIA 598-B		X = FUSION SPLICE INDIVIDUAL FIBER
(1) BLUE	(7) RED	C = CAP AND SEAL
(2) ORANGE	(8) BLACK	EXPRESS ENTIRE BUFFER TUBE/FIBERS THROUGH WITHOUT CUTTING
(3) GREEN	(9) YELLOW	BUFFER SPLICE SPLICE ALL FIBERS IN BUFFER TUBE COLOR TO COLOR
(4) BROWN	(10) VIOLET	EXISTING BUFFER TUBE/FIBERS. DO NOT MODIFY EXISTING SPLICES OR EXPRESSED FIBERS.
(5) SLATE	(11) ROSE	
(6) WHITE	(12) AQUA	

NOTES

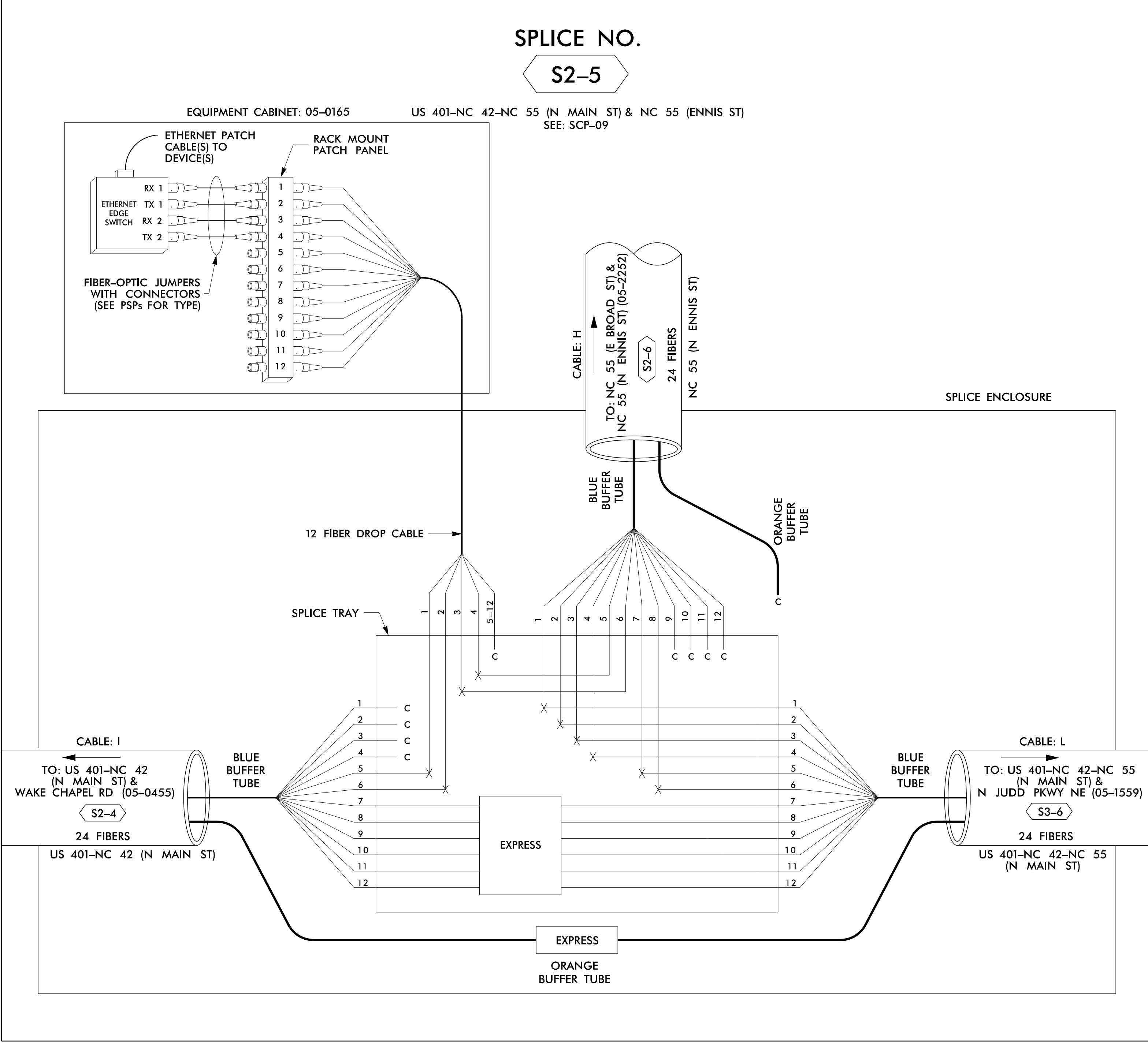
- UNUSED FIBERS LEFT COILED AND STORED IN SPLICE TRAY
- UNUSED BUFFER TUBES LEFT COILED AND STORED IN SPLICE ENCLOSURE
- EDGE SWITCH CONFIGURATIONS ARE GENERIC. CONTRACTOR IS RESPONSIBLE FOR DETERMINING/ENSURING THE PROPER TERMINATIONS.



1616 EAST MILLBROOK ROAD, SUITE 160
RALEIGH, NORTH CAROLINA 27609
(919) 876-6888 NCBEES #F-0326

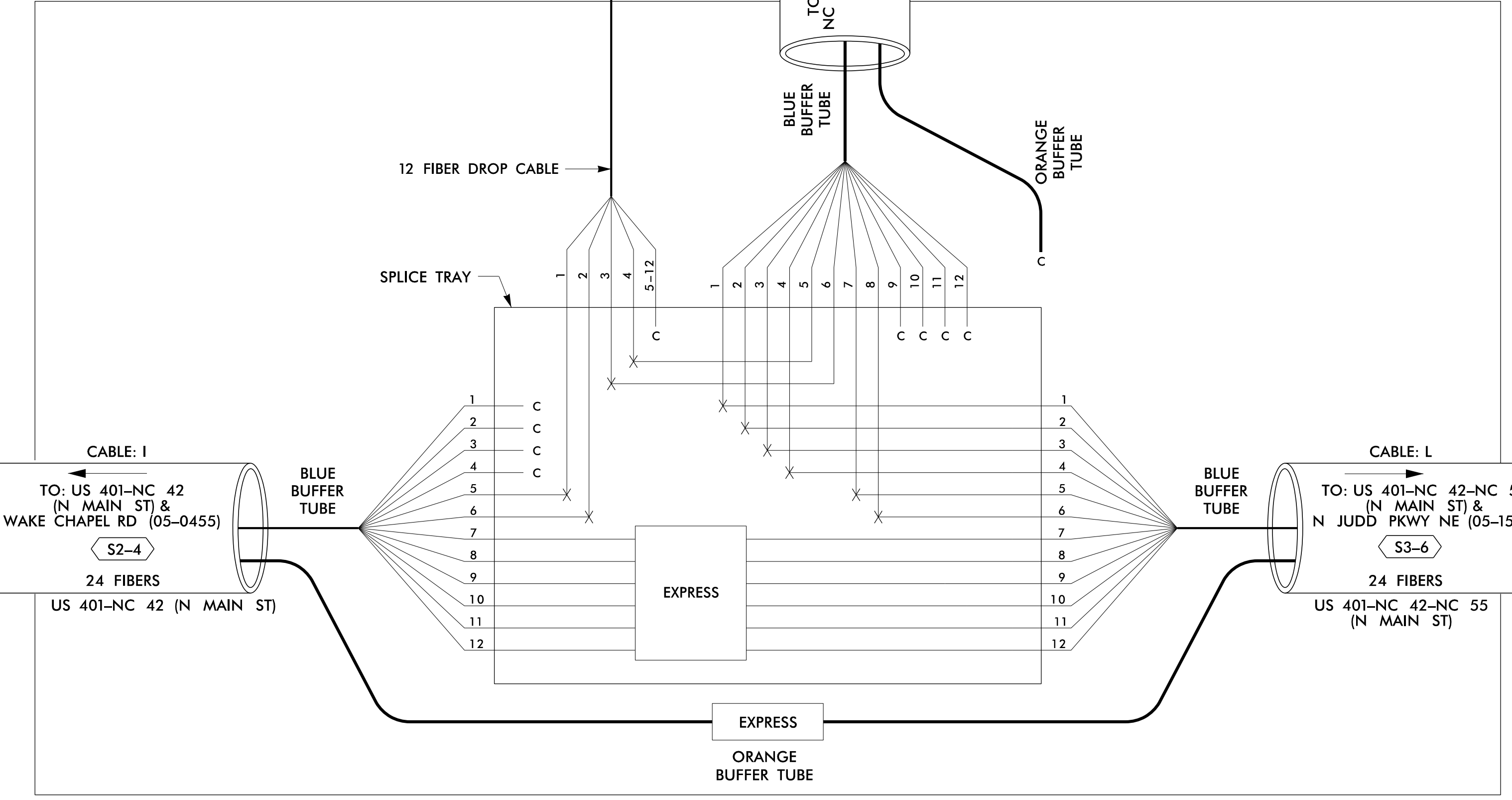
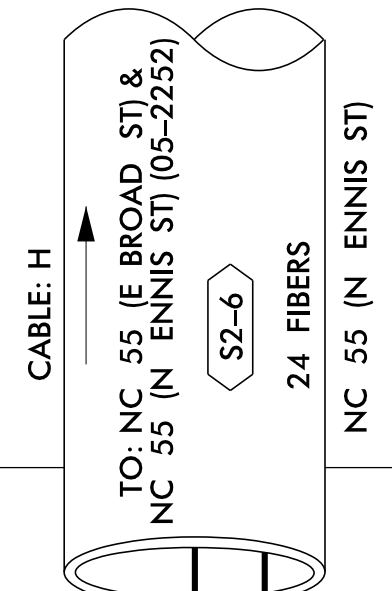
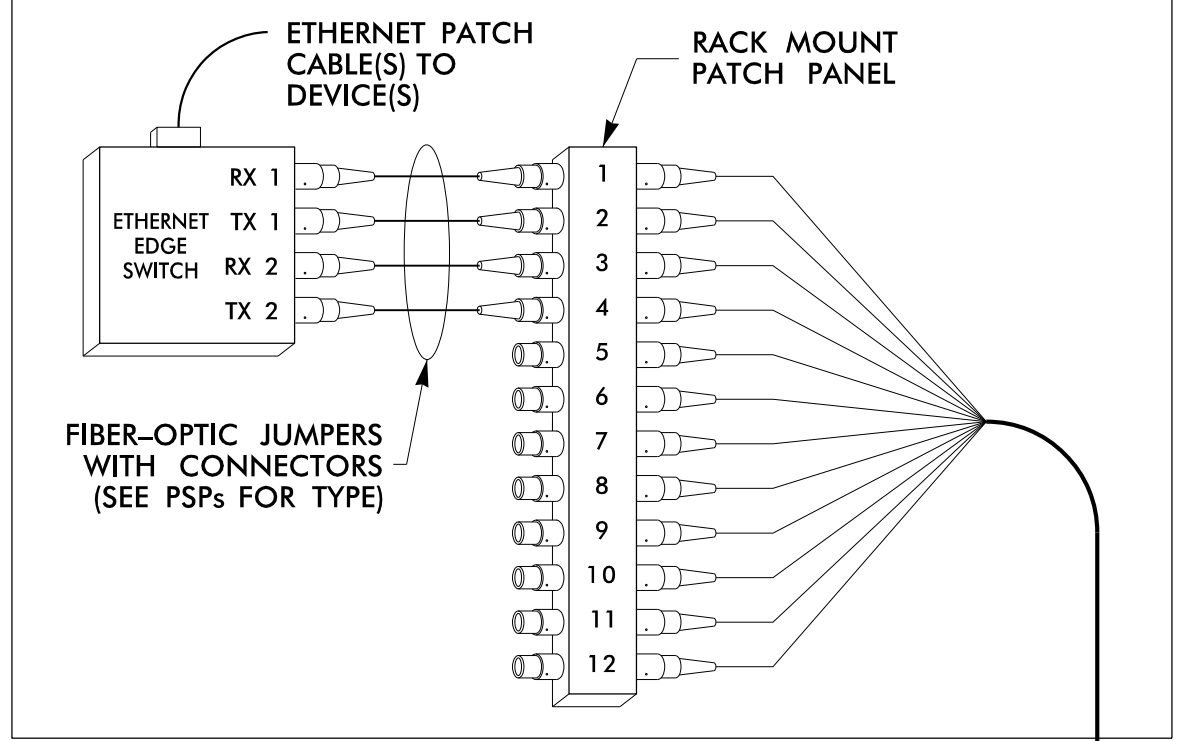
DOCUMENT NOT CONSIDERED FINAL UNLESS ALL SIGNATURES COMPLETED

	<p>Fuquay-Varina Signal System Fiber-Optic Splicing Details</p>		
	<p>Division 5 Wake County Fuquay-Varina</p>	<p>PLAN DATE: August 2022 REVIEWED BY: BJ Slocum</p>	
<p>SCALE N/A</p>	<p>REVISIONS</p>	<p>INIT. DATE</p>	<p>DATE</p>
<p>CADD Filename: Splice-09.dgn</p>			<p>4/14/2023</p>



SPLICE NO.
S2-5

EQUIPMENT CABINET: 05-0165 US 401-NC 42-NC 55 (N MAIN ST) & NC 55 (ENNIS ST)
SEE: SCP-09



16-MAR-2023 17:07 P:\7\305003634\wshk\ins.com\ATKMANC01\Documents\Roads and Bridges\Projects\100063268 Fuquay Varina\Task 11_Comms\Splice-10.dgn S:\P\4685 AT U3491089

LEGEND

COLOR CODE TIA/EIA 598-B		X = FUSION SPLICE INDIVIDUAL FIBER
(1) BLUE	(7) RED	C = CAP AND SEAL
(2) ORANGE	(8) BLACK	EXPRESS
(3) GREEN	(9) YELLOW	EXPRESS ENTIRE BUFFER TUBE / FIBERS THROUGH WITHOUT CUTTING
(4) BROWN	(10) VIOLET	BUFFER SPLICE
(5) SLATE	(11) ROSE	BUFFER SPLICE
(6) WHITE	(12) AQUA	EXISTING
		EXISTING BUFFER TUBE / FIBERS. DO NOT MODIFY EXISTING SPLICES OR EXPRESSED FIBERS.

NOTES

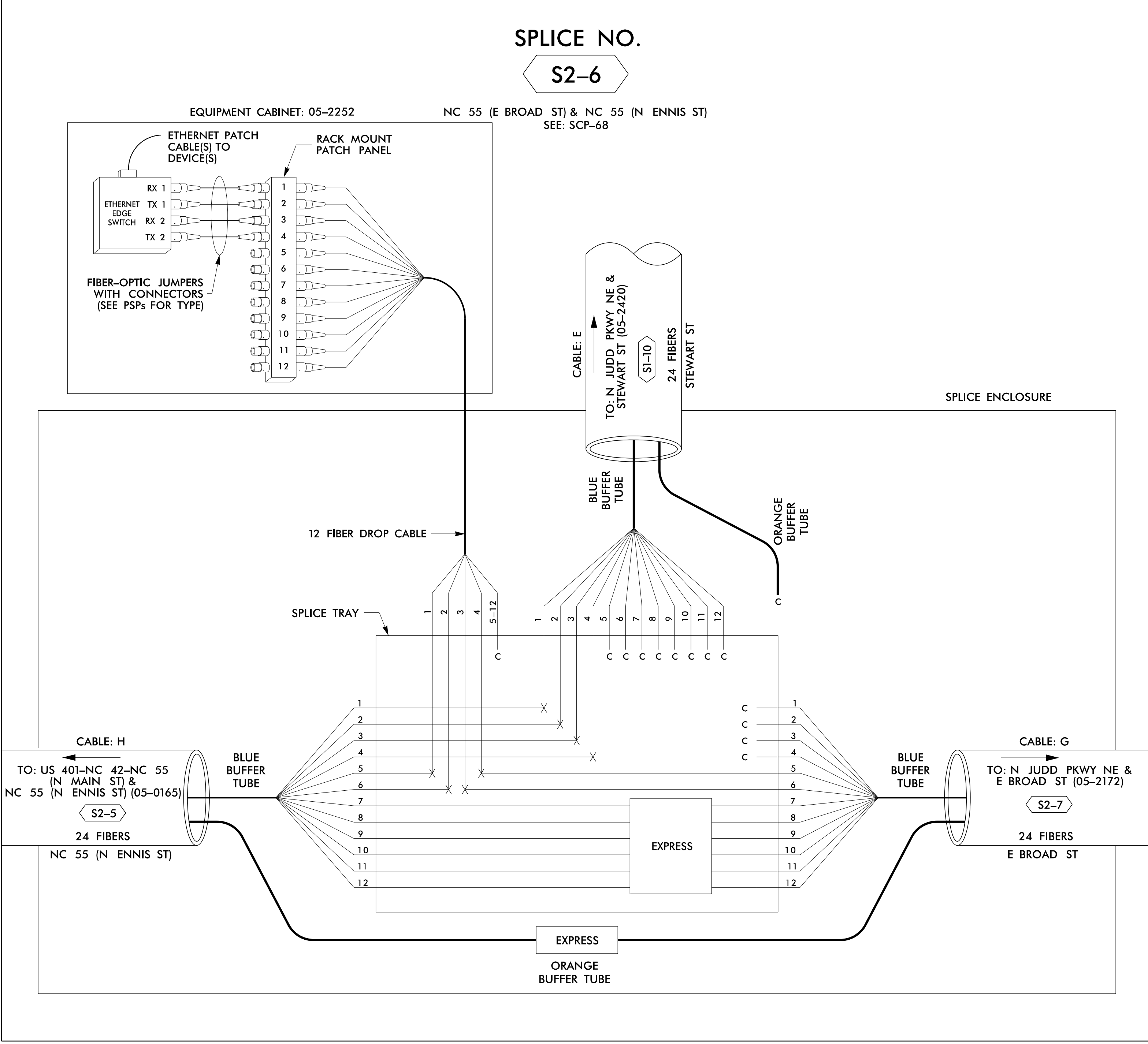
- UNUSED FIBERS LEFT COILED AND STORED IN SPLICE TRAY
- UNUSED BUFFER TUBES LEFT COILED AND STORED IN SPLICE ENCLOSURE
- EDGE SWITCH CONFIGURATIONS ARE GENERIC. CONTRACTOR IS RESPONSIBLE FOR DETERMINING/ENSURING THE PROPER TERMINATIONS.



1616 EAST MILLBROOK ROAD, SUITE 160
RALEIGH, NORTH CAROLINA 27609
(919) 876-6888 NCBEES #F-0326

DOCUMENT NOT CONSIDERED FINAL UNLESS ALL SIGNATURES COMPLETED

	<p>Fuquay-Varina Signal System Fiber-Optic Splicing Details</p>		
	<p>Division 5 Wake County Fuquay-Varina</p>	<p>PLAN DATE: August 2022 REVIEWED BY: BJ Slocum</p>	
<p>SCALE N/A</p>	<p>REVISIONS</p>	<p>INIT. DATE</p>	<p>4/14/2023</p>
<p>CADD Filename: Splice-10.dgn</p>			



16-MAR-2023 17:08 P:\7\3\US003634\wshk\ins.com\ATKMANC01\Documents\Roads and Bridges\Projects\100063268 Fuquay Varina\Task 11_Comms\Splice-11.dgn S:\P\4685 AT US491089

LEGEND

COLOR CODE TIA/EIA 598-B		X = FUSION SPLICE INDIVIDUAL FIBER
(1) BLUE	(7) RED	C = CAP AND SEAL
(2) ORANGE	(8) BLACK	EXPRESS EXPRESS ENTIRE BUFFER TUBE/FIBERS THROUGH WITHOUT CUTTING
(3) GREEN	(9) YELLOW	BUFFER SPLICE SPLICE ALL FIBERS IN BUFFER TUBE COLOR TO COLOR
(4) BROWN	(10) VIOLET	EXISTING EXISTING BUFFER TUBE/FIBERS. DO NOT MODIFY EXISTING SPLICES OR EXPRESSED FIBERS.
(5) SLATE	(11) ROSE	
(6) WHITE	(12) AQUA	

NOTES

- UNUSED FIBERS LEFT COILED AND STORED IN SPLICE TRAY
- UNUSED BUFFER TUBES LEFT COILED AND STORED IN SPLICE ENCLOSURE
- EDGE SWITCH CONFIGURATIONS ARE GENERIC. CONTRACTOR IS RESPONSIBLE FOR DETERMINING/ENSURING THE PROPER TERMINATIONS.



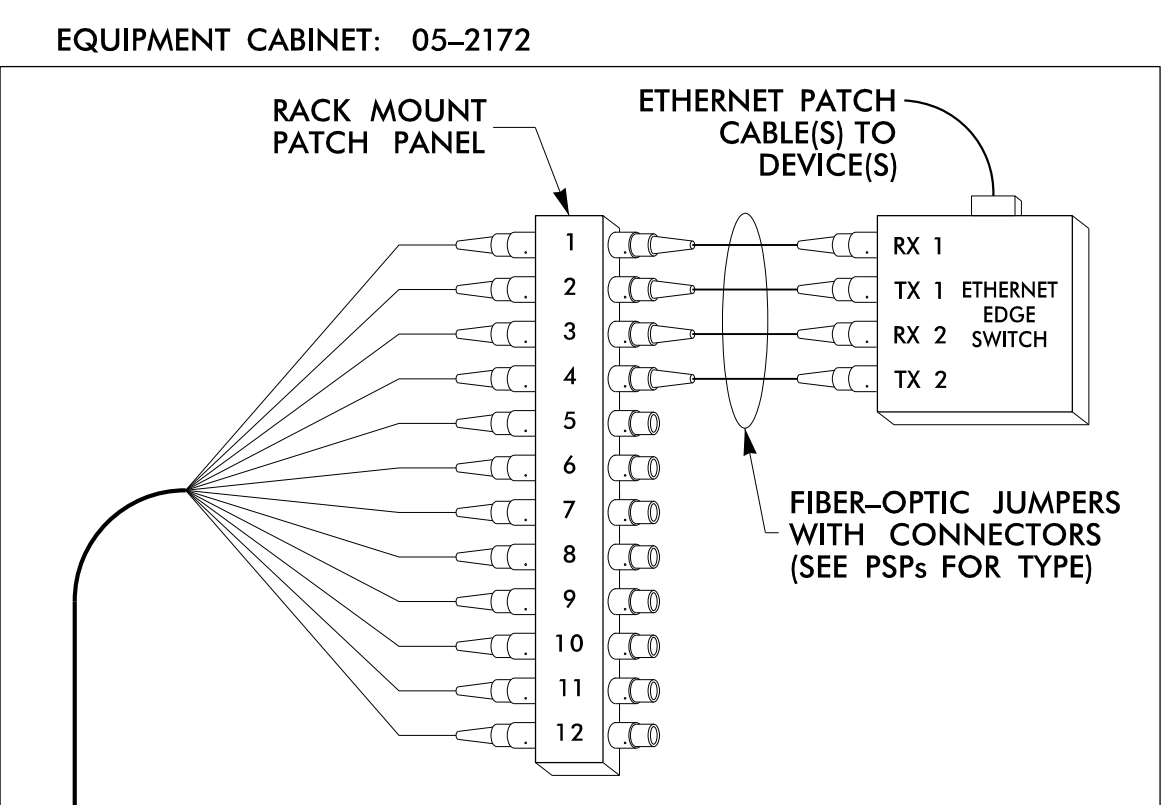
1616 EAST MILLBROOK ROAD, SUITE 160
RALEIGH, NORTH CAROLINA 27609
(919) 876-6888 NCBEES #F-0326

DOCUMENT NOT CONSIDERED FINAL UNLESS ALL SIGNATURES COMPLETED

	Fuquay-Varina Signal System Fiber-Optic Splicing Details		
	Division 5 Wake County Fuquay-Varina		
PLAN DATE: August 2022	REVIEWED BY: BJ Slocum		
PREPARED BY: JT Stiff	REVIEWED BY: MB Toth		
SCALE: N/A	REVISIONS	INIT.	DATE
		4/14/2023	DATE
CADD Filename: Splice-11.dgn			

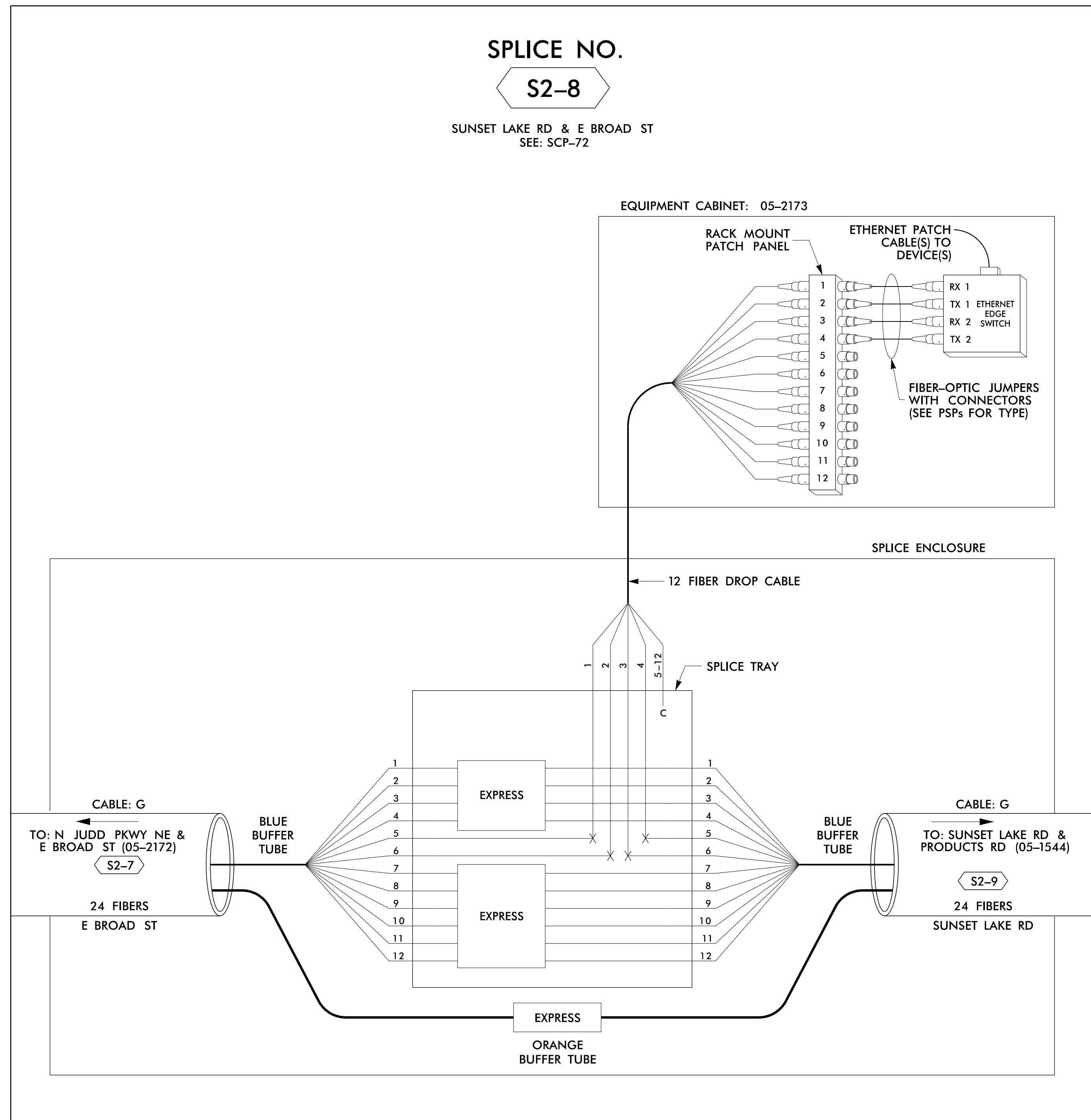
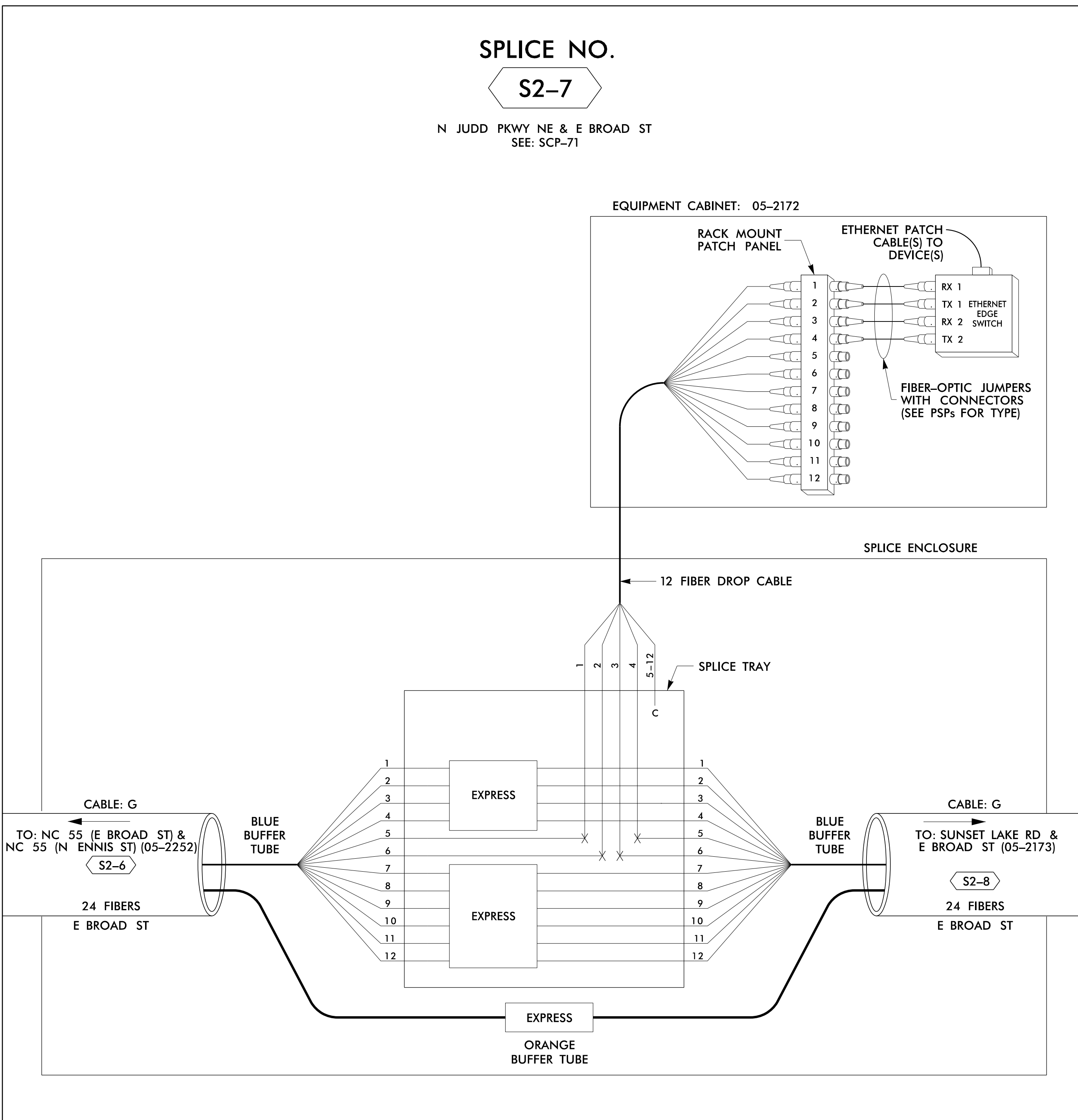
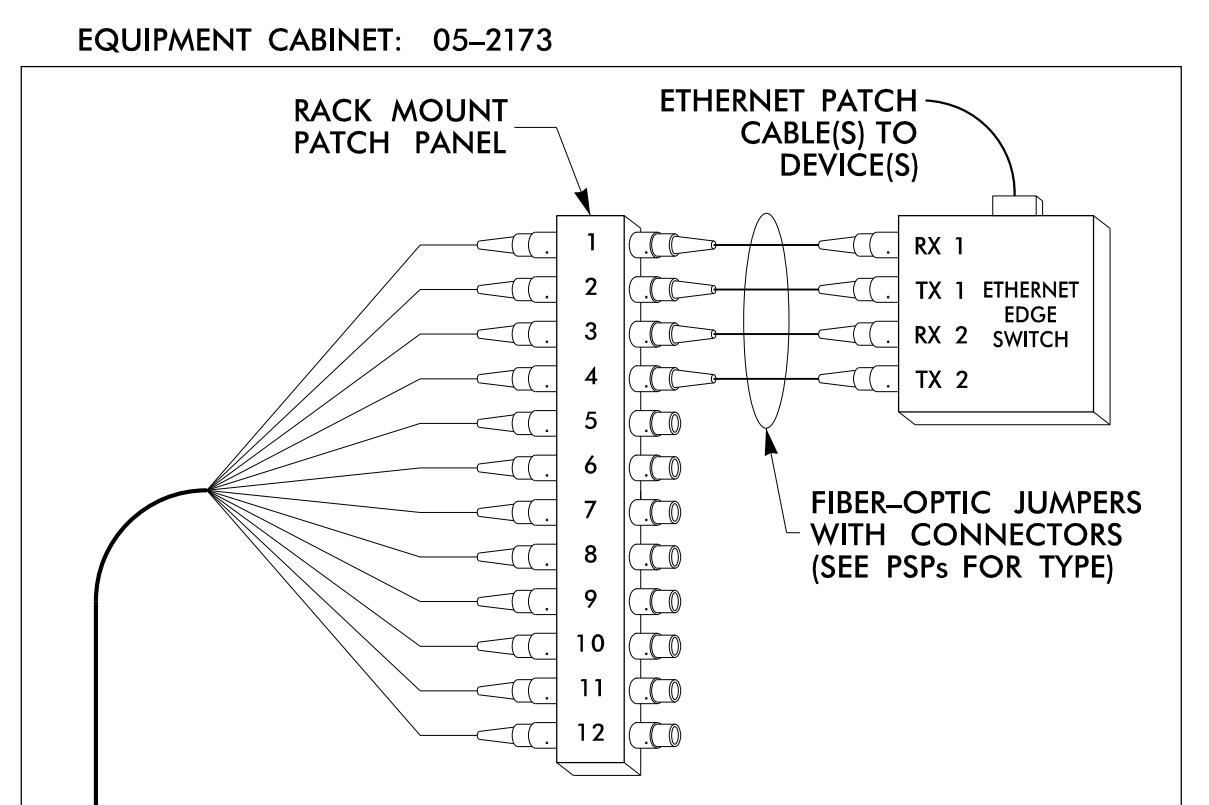
SPLICE NO.
S2-7

N JUDD PKWY NE & E BROAD ST
SEE: SCP-71



SPLICE NO.
S2-8

SUNSET LAKE RD & E BROAD ST
SEE: SCP-72



16-MAR-2023 17:08 P:\7\305003634\wshk\ins.com\ATKMANC01\Documents\Roads and Bridges\Projects\100063268 Fuquay Varina\Task 11_Comms\Splice-12.dgn AT U3491089

LEGEND

COLOR CODE TIA/EIA 598-B		X = FUSION SPLICE INDIVIDUAL FIBER
(1) BLUE	(7) RED	EXPRESS
(2) ORANGE	(8) BLACK	EXPRESS ENTIRE BUFFER TUBE / FIBERS THROUGH WITHOUT CUTTING
(3) GREEN	(9) YELLOW	BUFFER SPLICE
(4) BROWN	(10) VIOLET	SPLICE ALL FIBERS IN BUFFER TUBE COLOR TO COLOR
(5) SLATE	(11) ROSE	EXISTING
(6) WHITE	(12) AQUA	EXISTING BUFFER TUBE / FIBERS. DO NOT MODIFY EXISTING SPLICES OR EXPRESSED FIBERS.

NOTES

- UNUSED FIBERS LEFT COILED AND STORED IN SPLICE TRAY
- UNUSED BUFFER TUBES LEFT COILED AND STORED IN SPLICE ENCLOSURE
- EDGE SWITCH CONFIGURATIONS ARE GENERIC. CONTRACTOR IS RESPONSIBLE FOR DETERMINING/ENSURING THE PROPER TERMINATIONS.



1616 EAST MILLBROOK ROAD, SUITE 160
RALEIGH, NORTH CAROLINA 27609
(919) 876-6888 NCBEES #F-0326

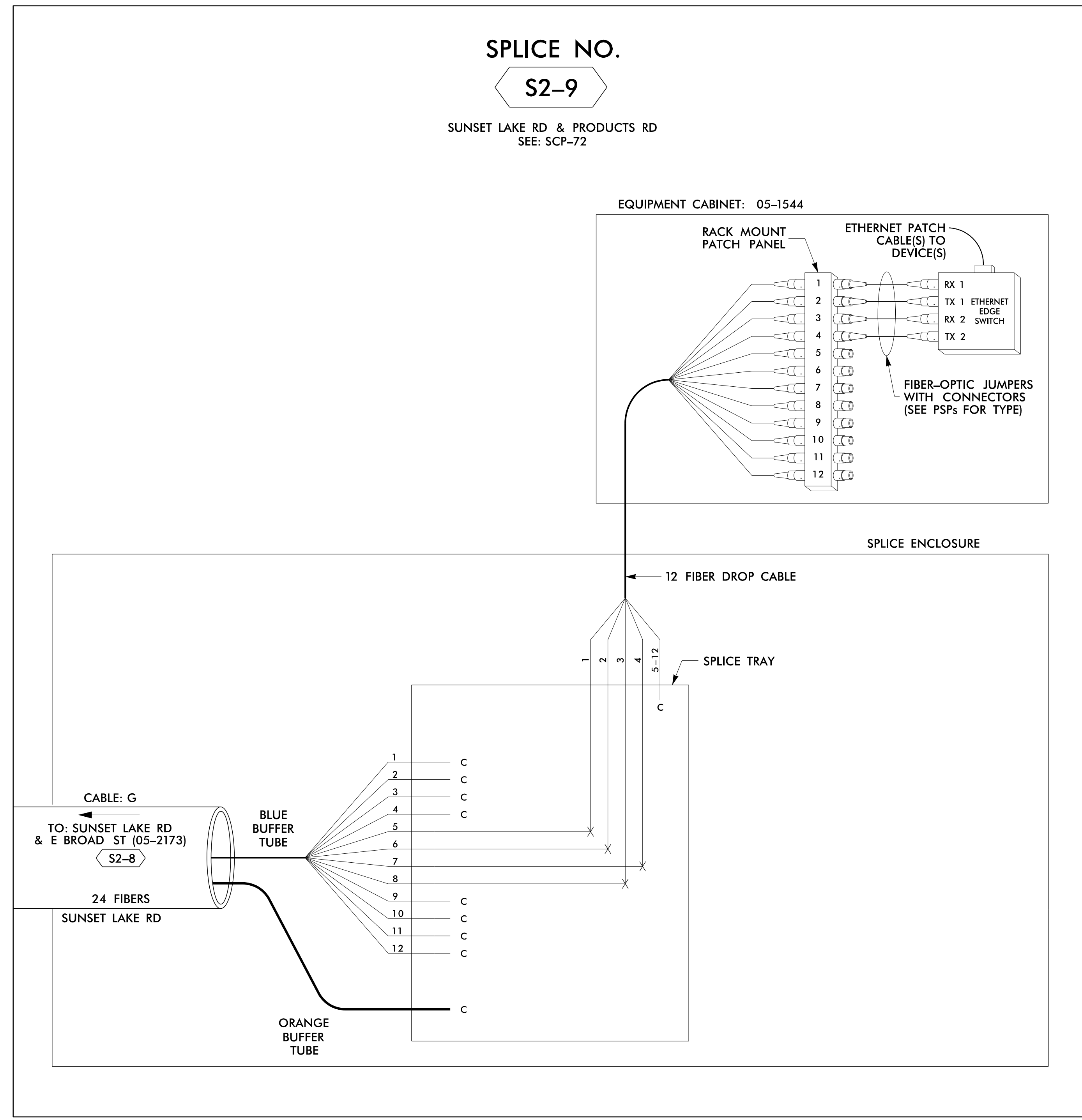
DOCUMENT NOT CONSIDERED FINAL UNLESS ALL SIGNATURES COMPLETED

	Fuquay-Varina Signal System Fiber-Optic Splicing Details		
	Division 5 Wake County Fuquay-Varina PLAN DATE: August 2022 PREPARED BY: JT Stiff	REVIEWED BY: BJ Slocum REVIEWED BY: MB Toth	

SPLICE NO.

S2-9

SUNSET LAKE RD & PRODUCTS RD
SEE: SCP-72



16-MAR-2023 17:08
 p:\7\3\50303634\wshk\ins.com\TKMANC01\Documents\Roads and Bridges\Projects\100063268 Fuquay Varina\Task 11_Comms\Splice-13.dgn
 S:\P4685 AT U3491089

LEGEND

COLOR CODE TIA/EIA 598-B		X = FUSION SPLICE INDIVIDUAL FIBER C = CAP AND SEAL
(1) BLUE	(7) RED	EXPRESS ENTIRE BUFFER TUBE / FIBERS THROUGH WITHOUT CUTTING SPLICE ALL FIBERS IN BUFFER TUBE COLOR TO COLOR EXISTING BUFFER TUBE / FIBERS. DO NOT MODIFY EXISTING SPLICES OR EXPRESSED FIBERS.
(2) ORANGE	(8) BLACK	
(3) GREEN	(9) YELLOW	
(4) BROWN	(10) VIOLET	
(5) SLATE	(11) ROSE	
(6) WHITE	(12) AQUA	

NOTES

- UNUSED FIBERS LEFT COILED AND STORED IN SPLICE TRAY
- UNUSED BUFFER TUBES LEFT COILED AND STORED IN SPLICE ENCLOSURE
- EDGE SWITCH CONFIGURATIONS ARE GENERIC. CONTRACTOR IS RESPONSIBLE FOR DETERMINING/ENSURING THE PROPER TERMINATIONS.

ATKINS

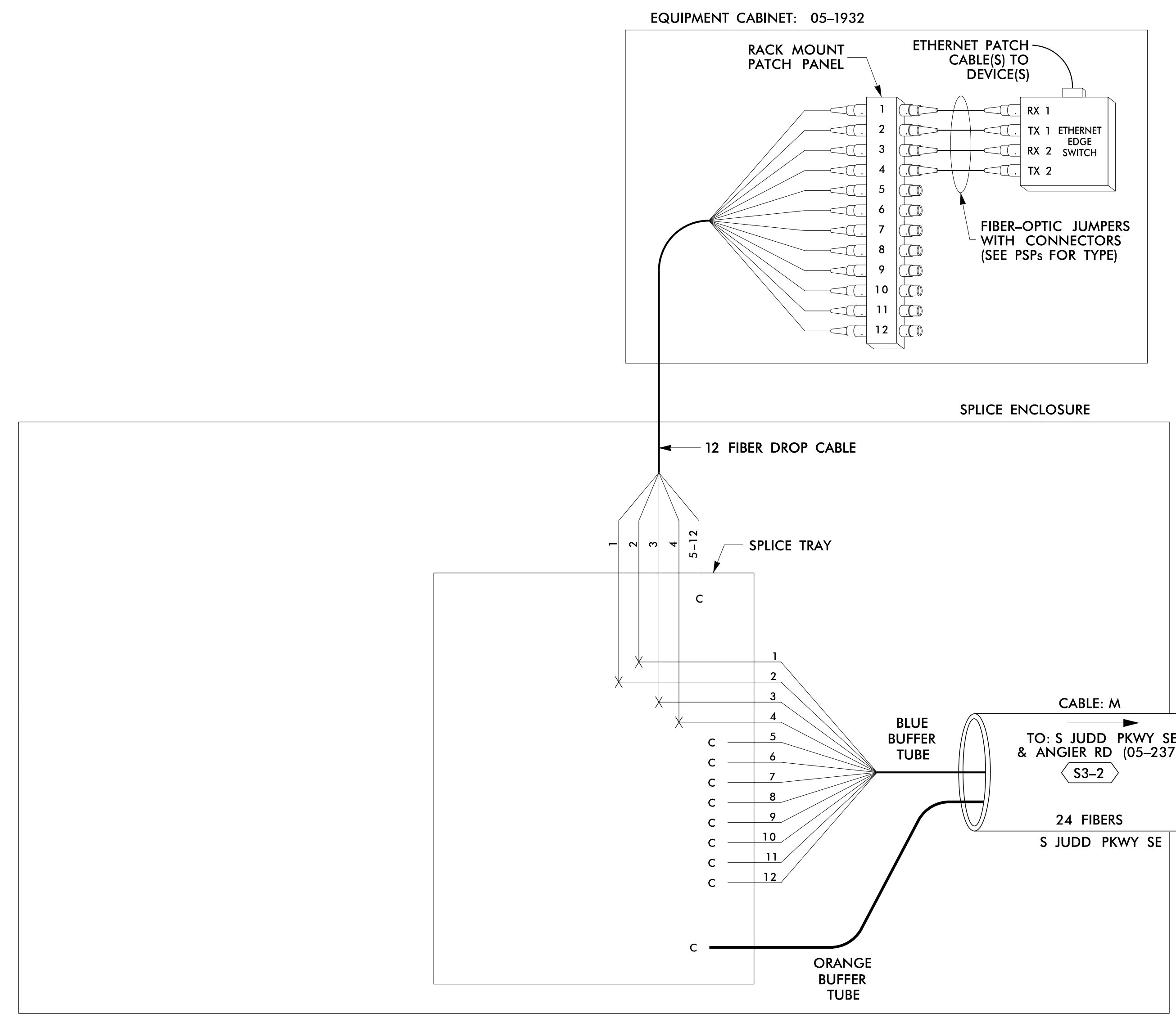
1616 EAST MILLBROOK ROAD, SUITE 160
 RALEIGH, NORTH CAROLINA 27609
 (919) 876-6888 NCBEES #F-0326

DOCUMENT NOT CONSIDERED FINAL UNLESS ALL SIGNATURES COMPLETED

	Prepared for the Offices of: Fuquay-Varina Signal System Fiber-Optic Splicing Details		SEAL
	Division 5 Wake County Fuquay-Varina	PLAN DATE: August 2022	
SCALE: N/A	PREPARED BY: JT Stiff	REVIEWED BY: MB Toth	DATE: 4/14/2023

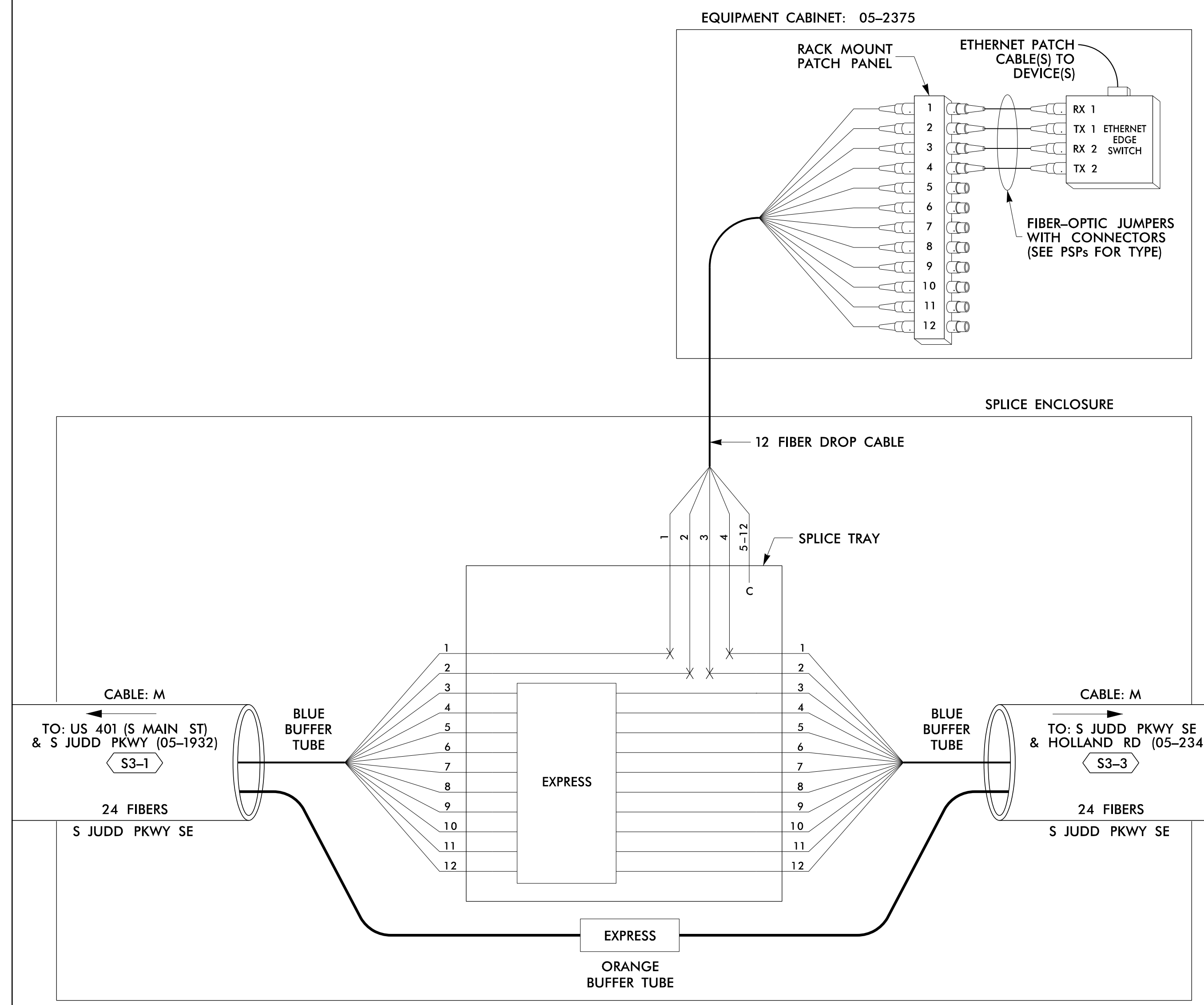
SPLICE NO.
S3-1

US 401 (S MAIN ST) & S JUDD PKWY
SEE: SCP-42



SPLICE NO.
S3-2

S JUDD PKWY SE & ANGIER RD
SEE: SCP-44



LEGEND

COLOR CODE TIA/EIA 598-B		X = FUSION SPLICE INDIVIDUAL FIBER
(1) BLUE	(7) RED	EXPRESS
(2) ORANGE	(8) BLACK	EXPRESS ENTIRE BUFFER TUBE / FIBERS THROUGH WITHOUT CUTTING
(3) GREEN	(9) YELLOW	BUFFER SPLICE
(4) BROWN	(10) VIOLET	SPLICE ALL FIBERS IN BUFFER TUBE COLOR TO COLOR
(5) SLATE	(11) ROSE	EXISTING
(6) WHITE	(12) AQUA	EXISTING BUFFER TUBE / FIBERS. DO NOT MODIFY EXISTING SPLICES OR EXPRESSED FIBERS.
C =		CAP AND SEAL

NOTES

- UNUSED FIBERS LEFT COILED AND STORED IN SPLICE TRAY
- UNUSED BUFFER TUBES LEFT COILED AND STORED IN SPLICE ENCLOSURE
- EDGE SWITCH CONFIGURATIONS ARE GENERIC. CONTRACTOR IS RESPONSIBLE FOR DETERMINING/ENSURING THE PROPER TERMINATIONS.

ATKINS

1616 EAST MILLBROOK ROAD, SUITE 160
RALEIGH, NORTH CAROLINA 27609
(919) 876-6888 NCBEES #F-0326

DOCUMENT NOT CONSIDERED FINAL
UNLESS ALL SIGNATURES COMPLETED

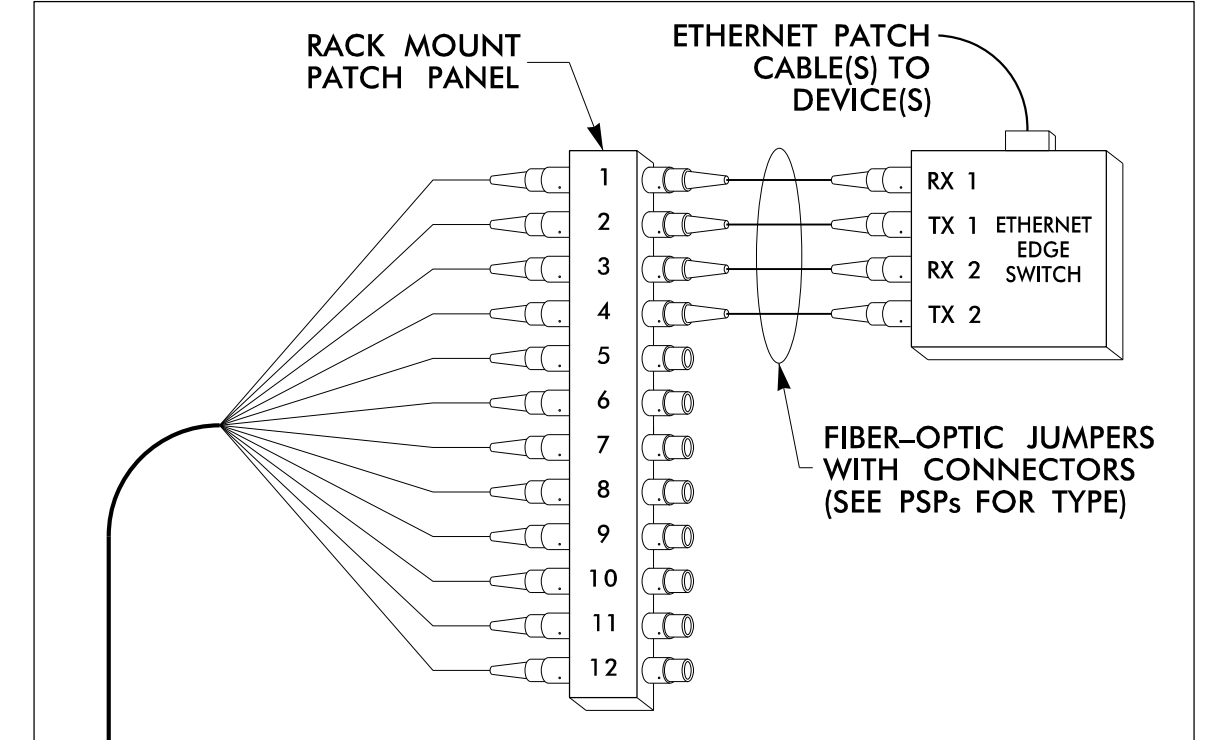
	Prepared for the Offices of: Fuquay-Varina Signal System Fiber-Optic Splicing Details	
	Division 5 Wake County Fuquay-Varina PLAN DATE: August 2022 PREPARED BY: JT Stiff	REVIEWED BY: BJ Slocum REVIEWED BY: MB Toth
SCALE N/A	REVISIONS	INIT. DATE
CADD Filename: Splice-14.dgn		4/14/2023

16-MAR-2023 17:08
 p:\7\305003634\wshk\ins.com\ATKMANC01\Documents\Roads and Bridges\Projects\100063268 Fuquay Varina\Task 11_Comms\Splice-14.dgn
 S:\P\4685

SPLICE NO.
S3-3

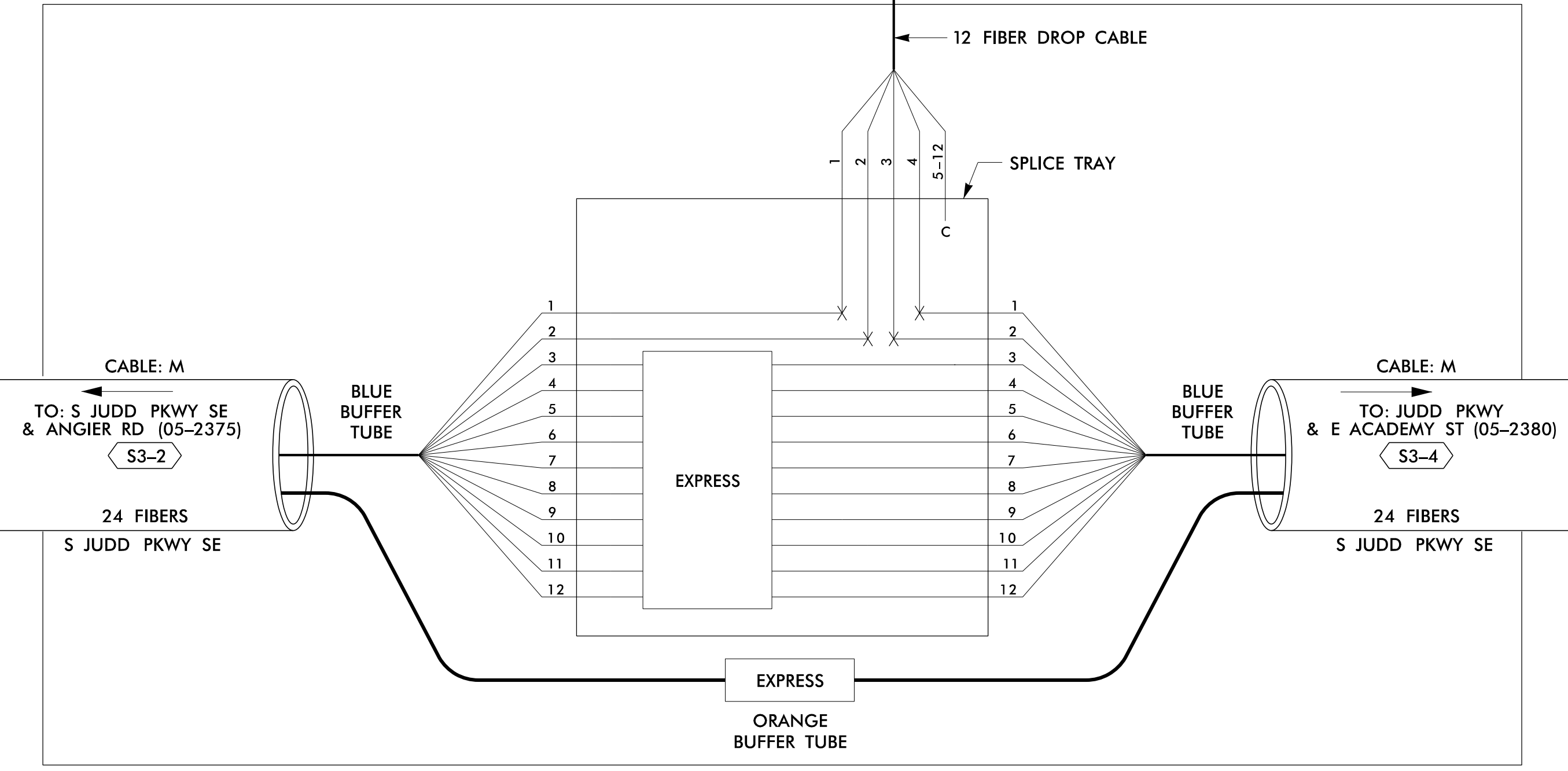
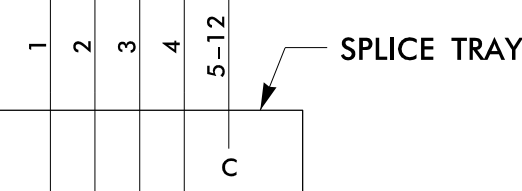
S JUDD PKWY SE & HOLLAND RD
SEE: SCP-45

EQUIPMENT CABINET: 05-2346



SPLICE ENCLOSURE

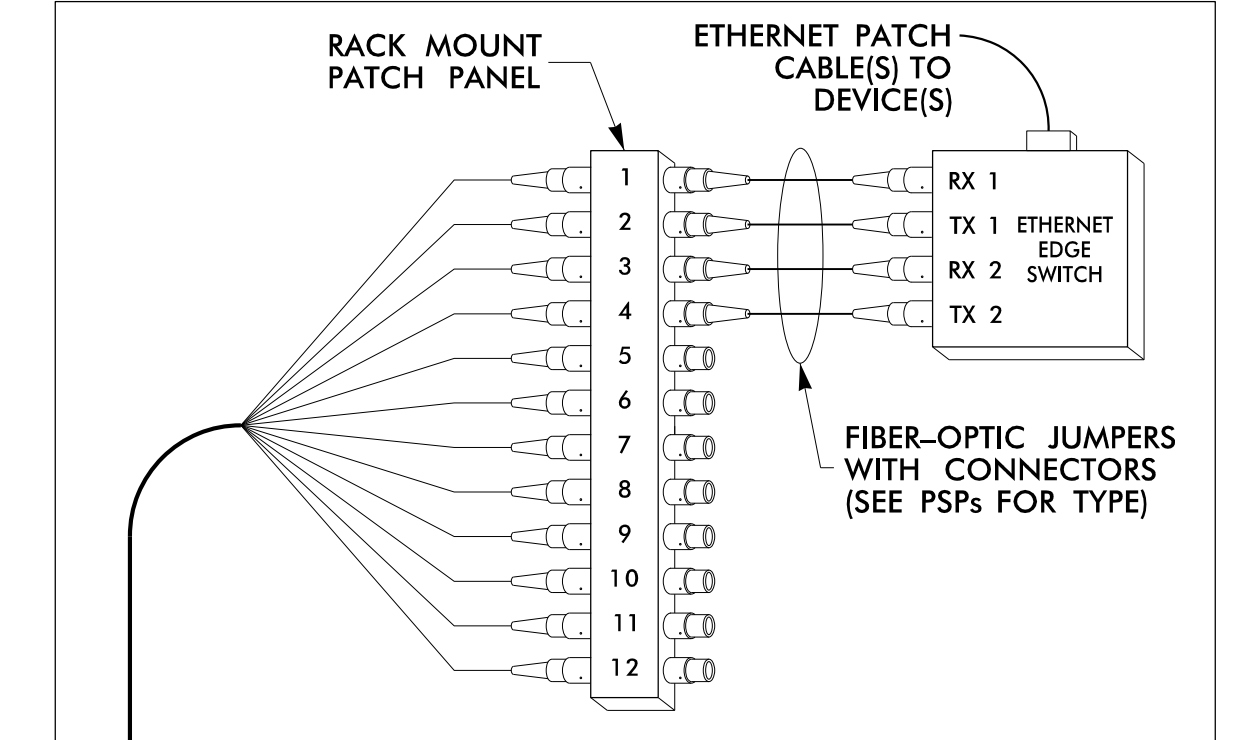
12 FIBER DROP CABLE



SPLICE NO.
S3-4

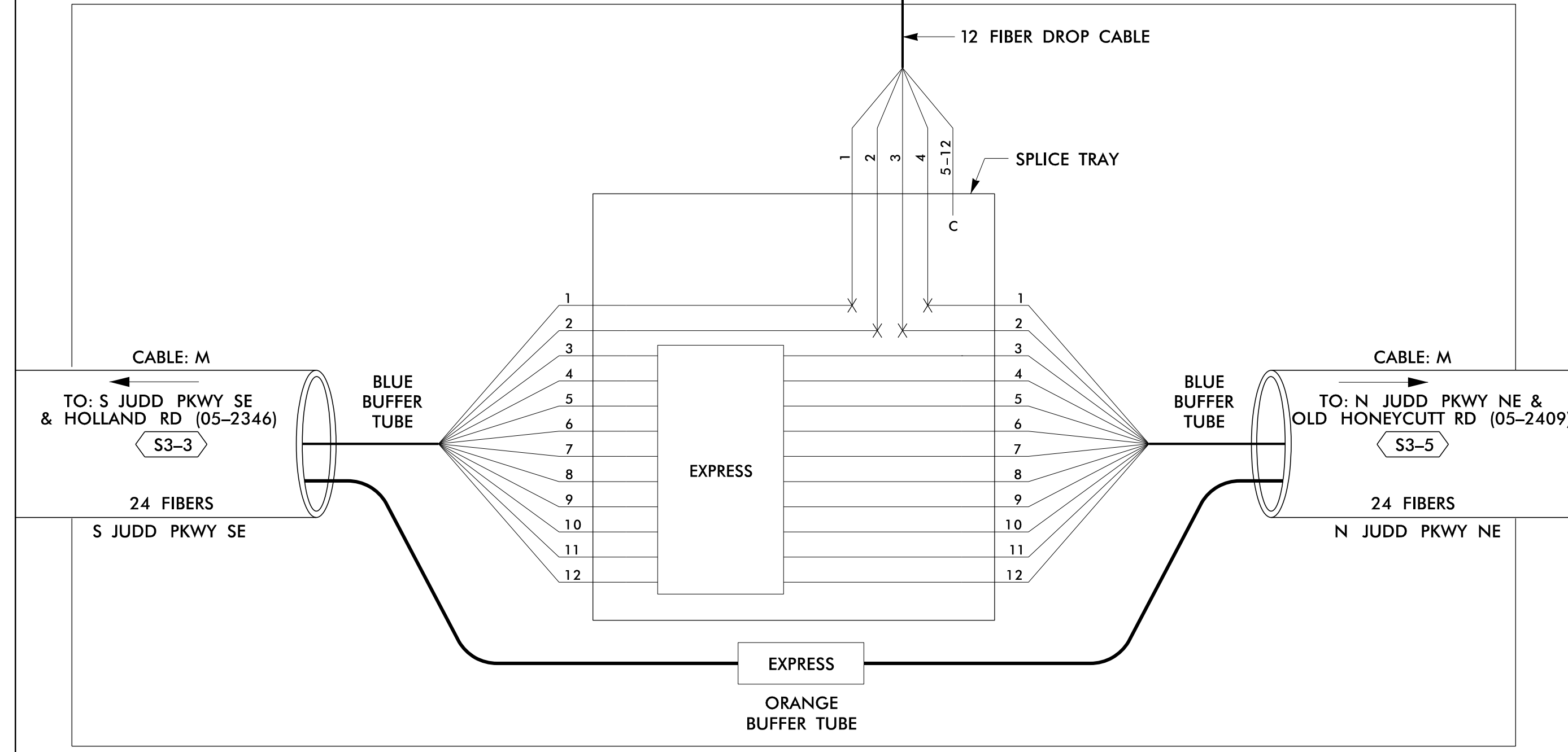
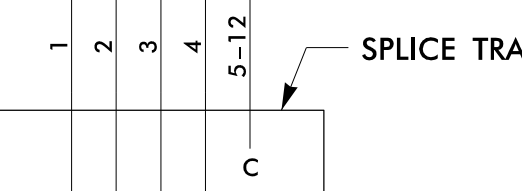
JUDD PKWY & E ACADEMY ST
SEE: SCP-47

EQUIPMENT CABINET: 05-2380



SPLICE ENCLOSURE

12 FIBER DROP CABLE



16-MAR-2023 17:08 P:\7\305003634\wsc\h\ins.com\ATKMANC01\Documents\Roads and Bridges\Projects\100063268 Fuquay Varina\Task 11_Comms\Splice-15.dgn SIF4685 AT U3491089

LEGEND

COLOR CODE TIA/EIA 598-B		X = FUSION SPlice INDIVIDUAL FIBER
(1) BLUE	(7) RED	EXPRESS ENTIRE BUFFER TUBE / FIBERS THROUGH WITHOUT CUTTING
(2) ORANGE	(8) BLACK	
(3) GREEN	(9) YELLOW	SPLICE ALL FIBERS IN BUFFER TUBE COLOR TO COLOR
(4) BROWN	(10) VIOLET	
(5) SLATE	(11) ROSE	EXISTING BUFFER TUBE / FIBERS. DO NOT MODIFY EXISTING SPLICES OR EXPRESSED FIBERS.
(6) WHITE	(12) AQUA	

NOTES

- UNUSED FIBERS LEFT COILED AND STORED IN SPLICE TRAY
- UNUSED BUFFER TUBES LEFT COILED AND STORED IN SPLICE ENCLOSURE
- EDGE SWITCH CONFIGURATIONS ARE GENERIC. CONTRACTOR IS RESPONSIBLE FOR DETERMINING/ENSURING THE PROPER TERMINATIONS.

ATKINS

1616 EAST MILLBROOK ROAD, SUITE 160
RALEIGH, NORTH CAROLINA 27609
(919) 876-6888 NCBEES #F-0326

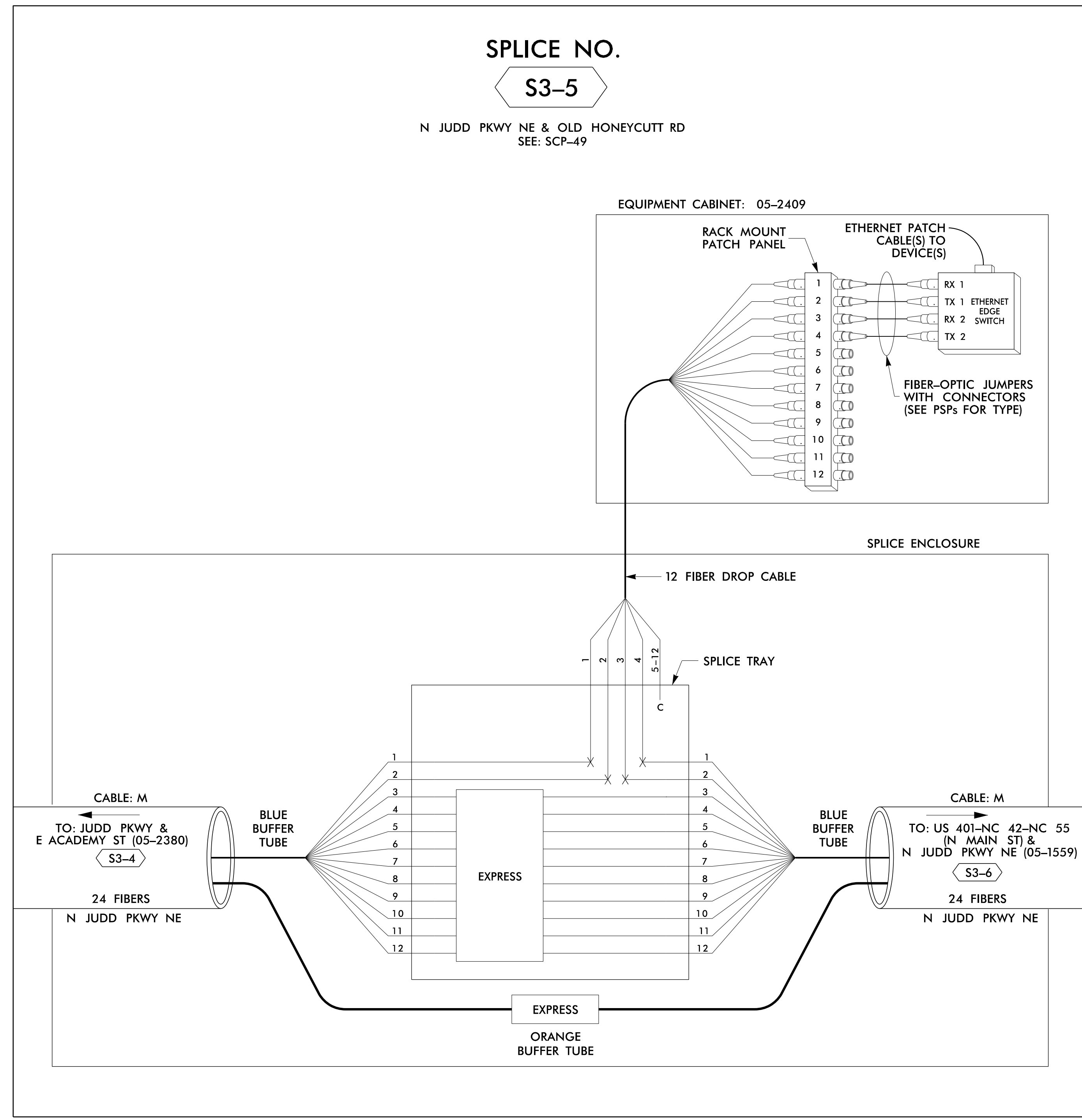
DOCUMENT NOT CONSIDERED FINAL
UNLESS ALL SIGNATURES COMPLETED

	Prepared for the Offices of: Fuquay-Varina Signal System Fiber-Optic Splicing Details		SEAL
	Division 5 Wake County Fuquay-Varina PLAN DATE: August 2022 PREPARED BY: JT Stiff	REVIEWED BY: BJ Slocum REVIEWED BY: MB Toth	

SPLICE NO.

S3-5

N JUDD PKWY NE & OLD HONEYCUTT RD
SEE: SCP-49



16-MAR-2023 17:08 p:\7\3\US003634\wshk\ins.com\ATKMANC01\Documents\Roads and Bridges\Projects\100063268 Fuquay Varina\Task 11_Comms\Splice-16.dgn SIF4685 AT U3491089

LEGEND

<table border="1"> <tr> <td>COLOR CODE</td> <td>TIA/EIA</td> <td>598-B</td> </tr> </table>		COLOR CODE	TIA/EIA	598-B	X = FUSION SPLICE INDIVIDUAL FIBER C = CAP AND SEAL
COLOR CODE	TIA/EIA	598-B			
(1) BLUE	(7) RED	EXPRESS	EXPRESS ENTIRE BUFFER TUBE/FIBERS THROUGH WITHOUT CUTTING		
(2) ORANGE	(8) BLACK	BUFFER SPLICE	SPLICE ALL FIBERS IN BUFFER TUBE COLOR TO COLOR		
(3) GREEN	(9) YELLOW	EXISTING	EXISTING BUFFER TUBE/FIBERS. DO NOT MODIFY EXISTING SPLICES OR EXPRESSED FIBERS.		
(4) BROWN	(10) VIOLET				
(5) SLATE	(11) ROSE				
(6) WHITE	(12) AQUA				

NOTES

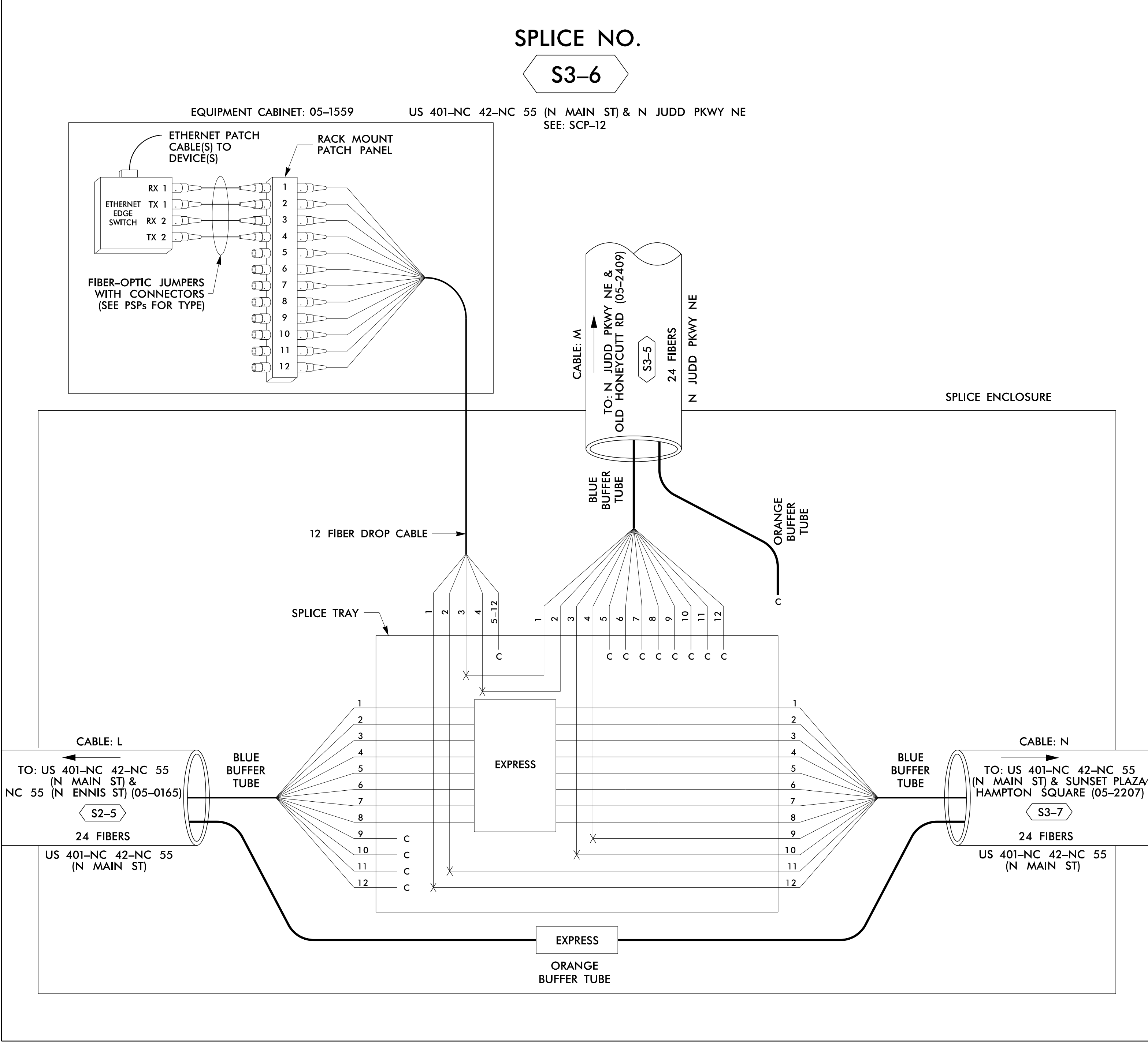
- UNUSED FIBERS LEFT COILED AND STORED IN SPLICE TRAY
- UNUSED BUFFER TUBES LEFT COILED AND STORED IN SPLICE ENCLOSURE
- EDGE SWITCH CONFIGURATIONS ARE GENERIC. CONTRACTOR IS RESPONSIBLE FOR DETERMINING/ENSURING THE PROPER TERMINATIONS.

ATKINS

1616 EAST MILLBROOK ROAD, SUITE 160
RALEIGH, NORTH CAROLINA 27609
(919) 876-6888 NCBEES #F-0326

DOCUMENT NOT CONSIDERED FINAL UNLESS ALL SIGNATURES COMPLETED

	Fuquay-Varina Signal System Fiber-Optic Splicing Details		
	Division 5 Wake County Fuquay-Varina	PLAN DATE: August 2022	
PREPARED BY: JT Stiff	REVISIONS	REVIEWED BY: MB Toth	DATE
SCALE: N/A	INIT.	DATE	DATE
CADD Filename: Splice-16.dgn			



16-MAR-2023 17:08 p:\7\305003634\wshk\ins.com\ATKMANC01\Documents\Roads and Bridges\Projects\100663268 Fuquay Varina\Task 11_Coms\Splice-17.dgn SIF4685 AT U3491089

LEGEND

COLOR CODE TIA/EIA 598-B		X = FUSION SPLICE INDIVIDUAL FIBER
(1) BLUE	(7) RED	C = CAP AND SEAL
(2) ORANGE	(8) BLACK	EXPRESS
(3) GREEN	(9) YELLOW	EXPRESS ENTIRE BUFFER TUBE / FIBERS THROUGH WITHOUT CUTTING
(4) BROWN	(10) VIOLET	BUFFER SPLICE
(5) SLATE	(11) ROSE	BUFFER SPLICE
(6) WHITE	(12) AQUA	EXISTING
		EXISTING BUFFER TUBE / FIBERS. DO NOT MODIFY EXISTING SPLICES OR EXPRESSED FIBERS.

NOTES

- UNUSED FIBERS LEFT COILED AND STORED IN SPLICE TRAY
- UNUSED BUFFER TUBES LEFT COILED AND STORED IN SPLICE ENCLOSURE
- EDGE SWITCH CONFIGURATIONS ARE GENERIC. CONTRACTOR IS RESPONSIBLE FOR DETERMINING/ENSURING THE PROPER TERMINATIONS.



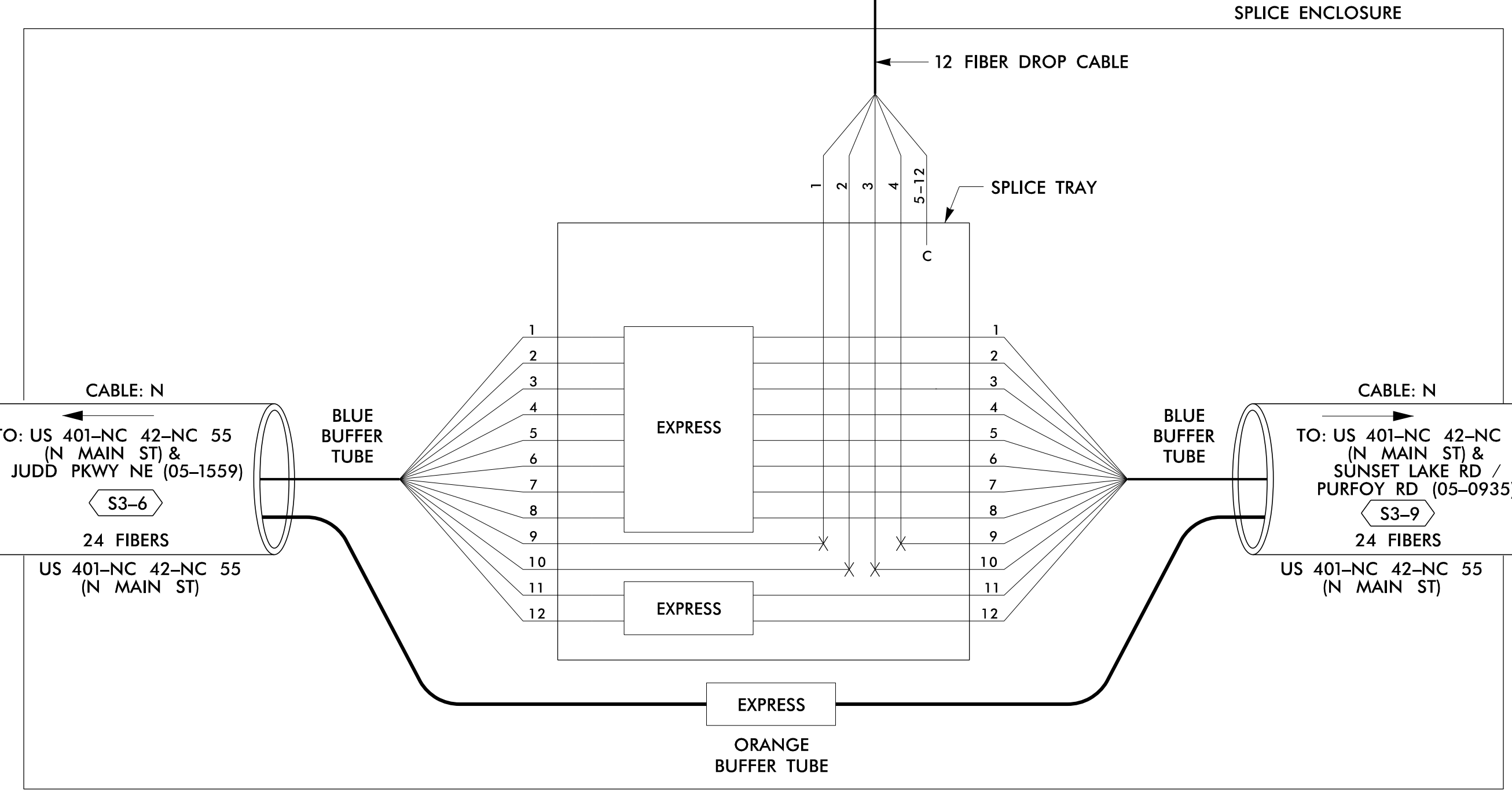
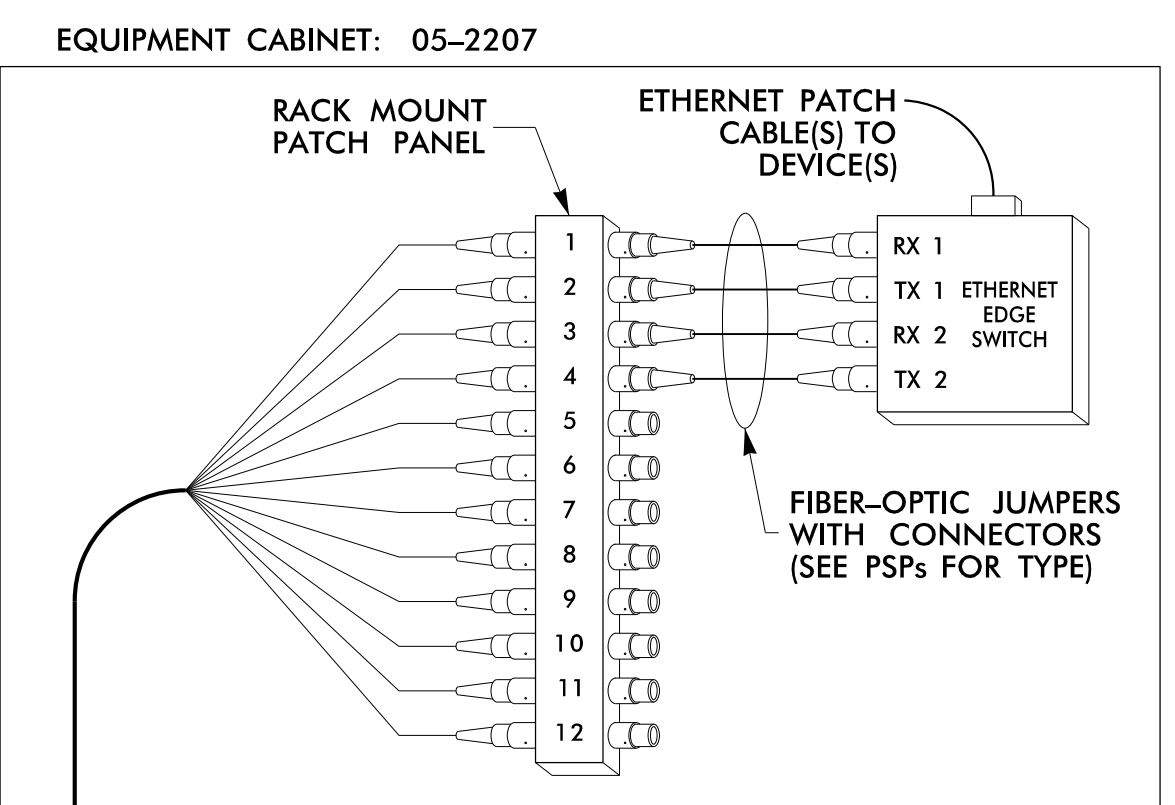
1616 EAST MILLBROOK ROAD, SUITE 160
RALEIGH, NORTH CAROLINA 27609
(919) 876-6888 NCBEES #F-0326

DOCUMENT NOT CONSIDERED FINAL UNLESS ALL SIGNATURES COMPLETED

	Fuquay-Varina Signal System Fiber-Optic Splicing Details		
	Division 5 Wake County Fuquay-Varina		
PLAN DATE: August 2022	REVIEWED BY: BJ Slocum		
PREPARED BY: JT Stiff	REVIEWED BY: MB Toth		
SCALE: N/A	REVISIONS	INIT.	DATE
		4/14/2023	DATE
CADD Filename: Splice-17.dgn			

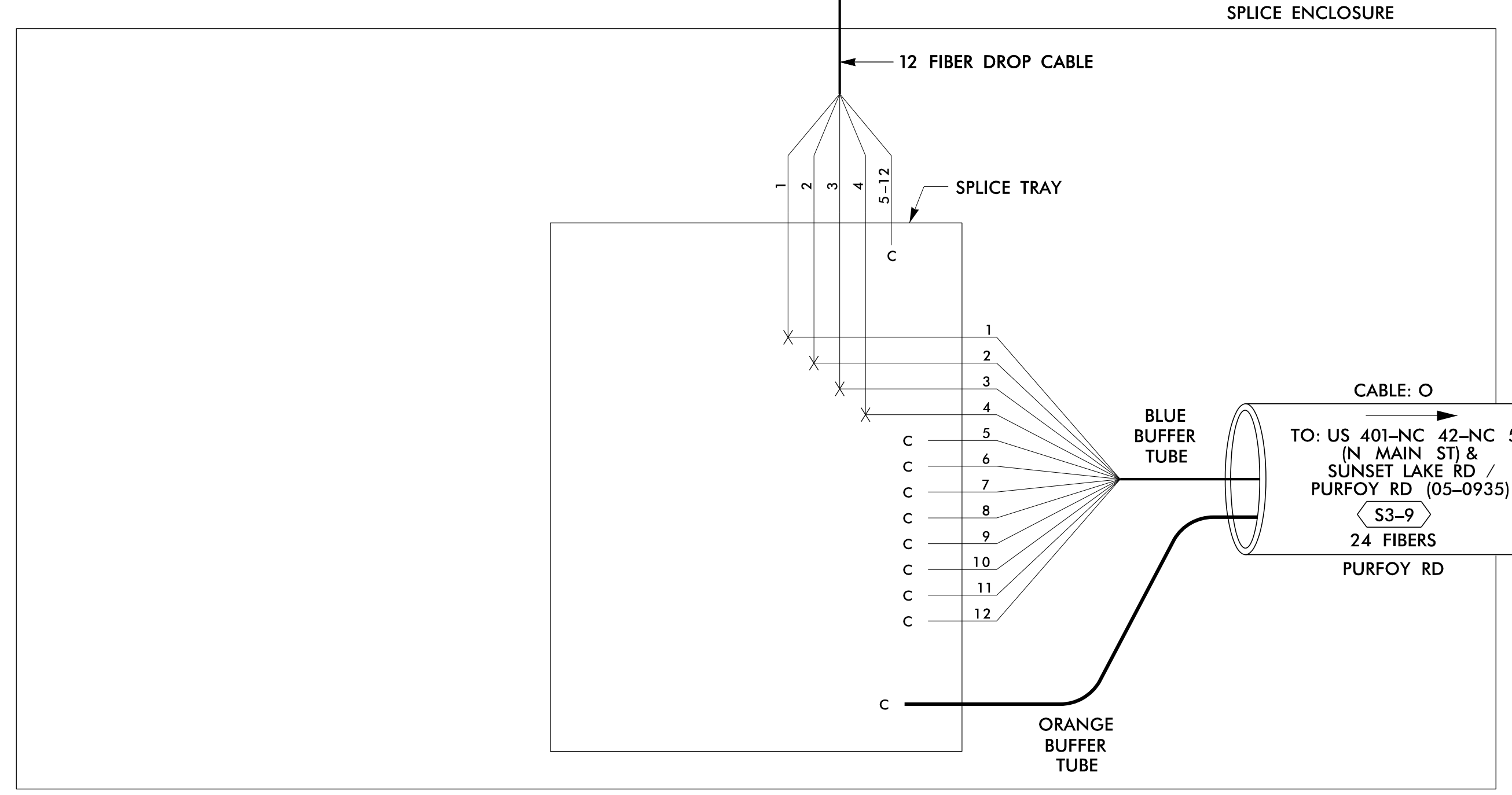
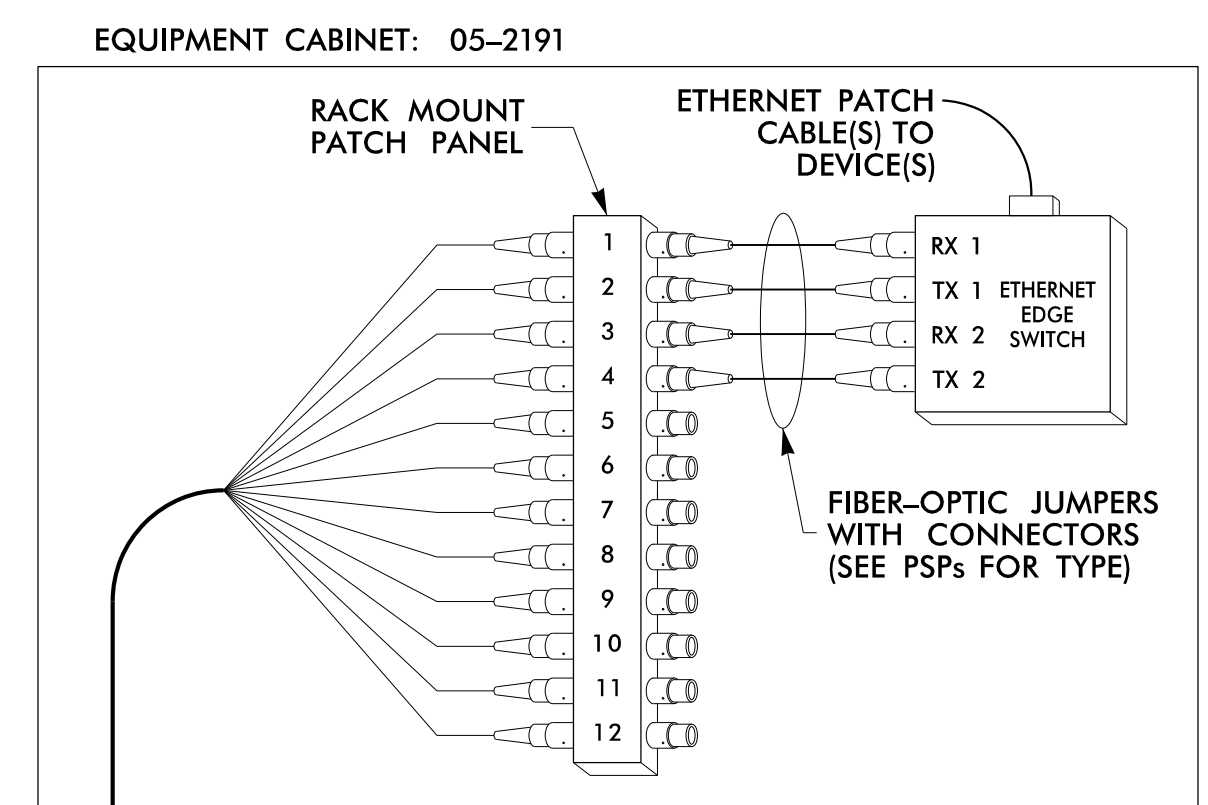
SPLICE NO.
S3-7

US 401-NC 42-NC 55 (N MAIN ST) & SUNSET PLAZA / HAMPTON SQUARE
SEE: SCP-13



SPLICE NO.
S3-8

PURFOY RD & OLD HONEYCUTT RD
SEE: SCP-50



16-MAR-2023 17:09 p:\7\30503634\wshk\ins.com\TKMANC01\Documents/Roads and Bridges/Projects/100063268 Fuquay Varina/Task 11_Comms/Splice-18.dgn S:\P4685 AT U3491089

LEGEND

COLOR CODE TIA/EIA 598-B		X = FUSION SPLICE INDIVIDUAL FIBER
(1) BLUE	(7) RED	EXPRESS ENTIRE BUFFER TUBE / FIBERS THROUGH WITHOUT CUTTING
(2) ORANGE	(8) BLACK	
(3) GREEN	(9) YELLOW	SPLICE ALL FIBERS IN BUFFER TUBE COLOR TO COLOR
(4) BROWN	(10) VIOLET	
(5) SLATE	(11) ROSE	EXISTING BUFFER TUBE / FIBERS. DO NOT MODIFY EXISTING SPLICES OR EXPRESSED FIBERS.
(6) WHITE	(12) AQUA	
		C = CAP AND SEAL

NOTES

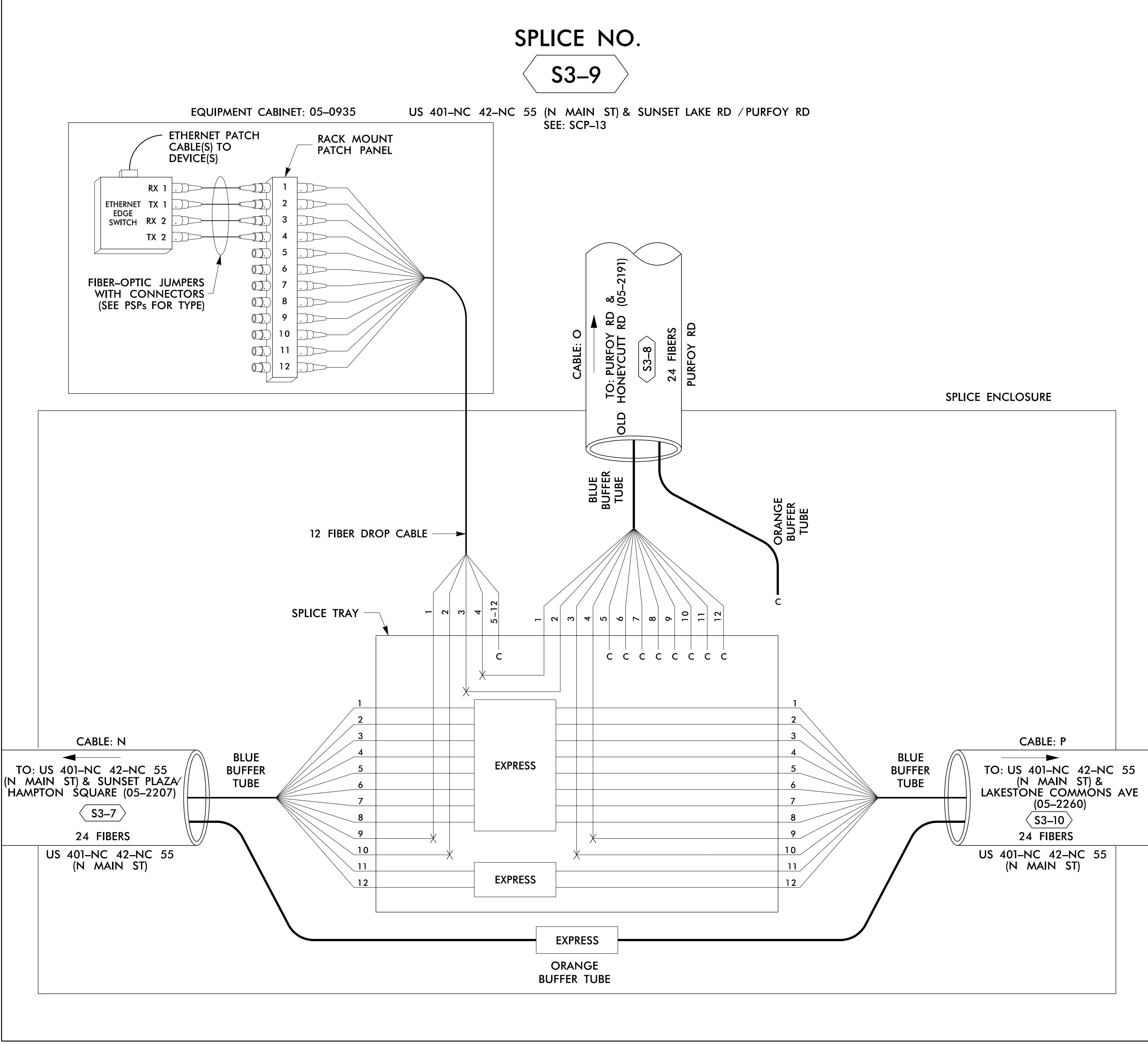
- UNUSED FIBERS LEFT COILED AND STORED IN SPLICE TRAY
- UNUSED BUFFER TUBES LEFT COILED AND STORED IN SPLICE ENCLOSURE
- EDGE SWITCH CONFIGURATIONS ARE GENERIC. CONTRACTOR IS RESPONSIBLE FOR DETERMINING/ENSURING THE PROPER TERMINATIONS.



1616 EAST MILLBROOK ROAD, SUITE 160
RALEIGH, NORTH CAROLINA 27609
(919) 876-6888 NCBEES #F-0326

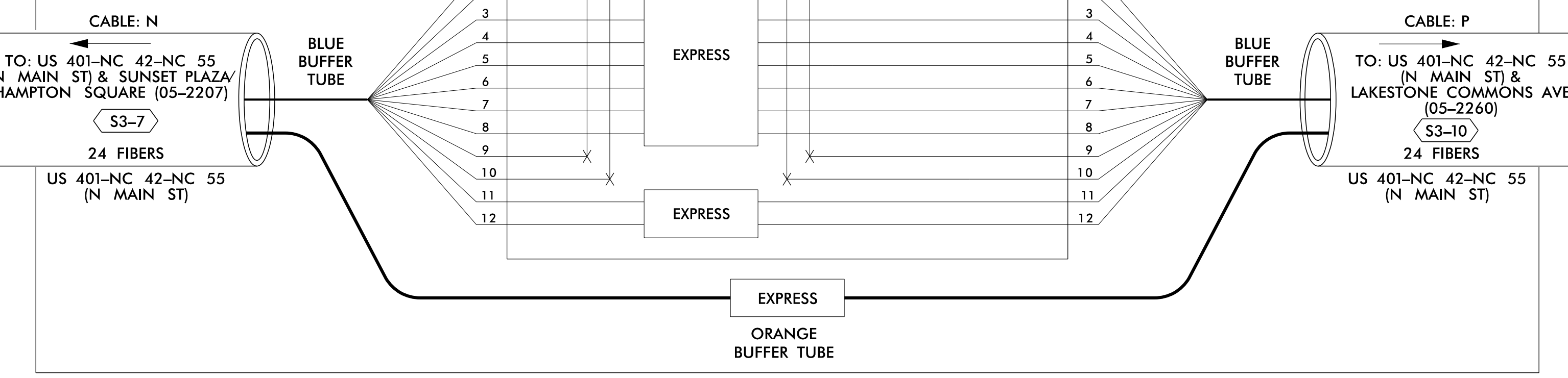
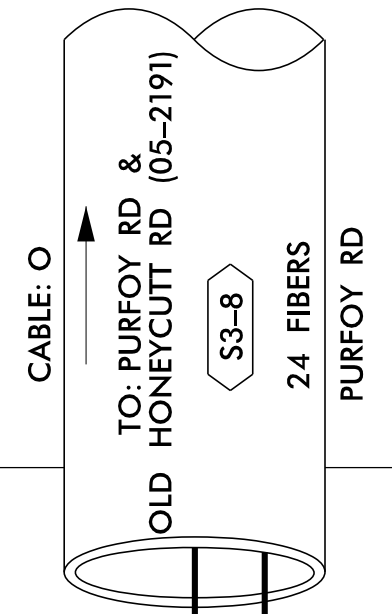
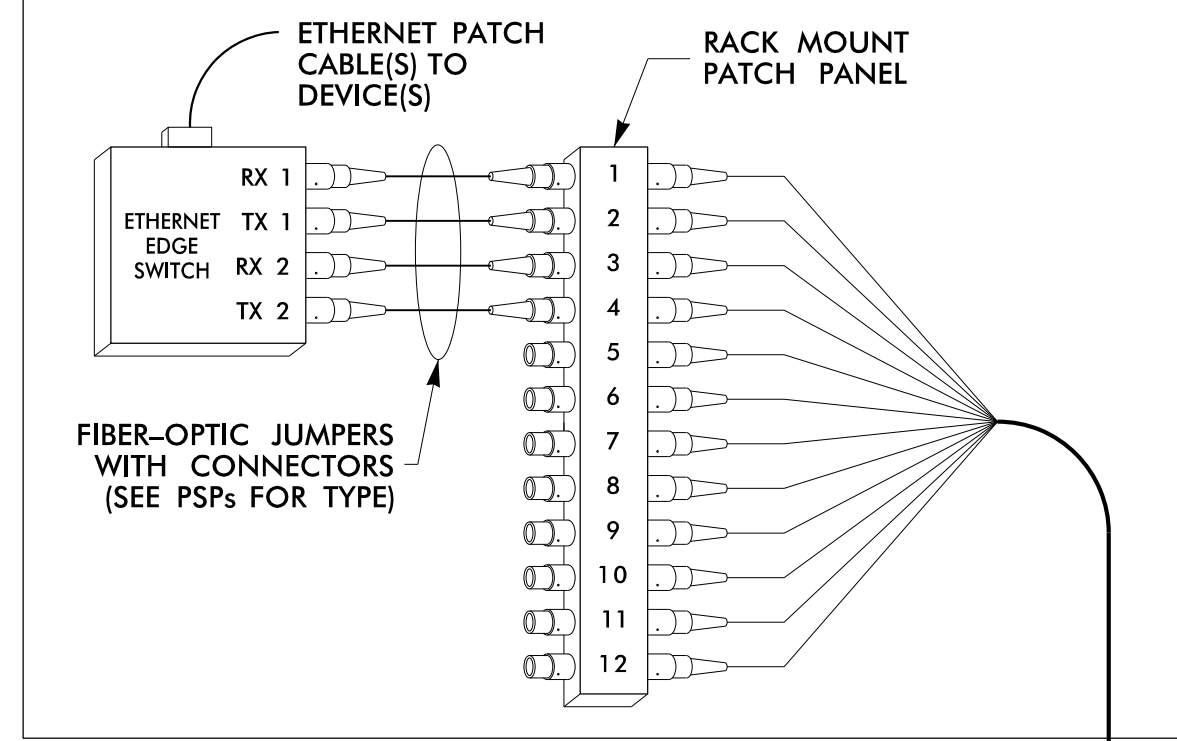
**DOCUMENT NOT CONSIDERED FINAL
UNLESS ALL SIGNATURES COMPLETED**

	<p>Fuquay-Varina Signal System Fiber-Optic Splicing Details</p>		
	<p>Division 5 Wake County Fuquay-Varina</p>	<p>PLAN DATE: August 2022</p>	
<p>750 Greenfield Parkway, Garner, NC 27529</p>	<p>PREPARED BY: JT Stiff</p>	<p>REVIEWED BY: MB Toth</p>	<p>DATE: 4/14/2023</p>
<p>SCALE: N/A</p>	<p>REVISIONS:</p>	<p>INIT. DATE:</p>	<p>CADD Filename: Splice-18.dgn</p>



SPLICE NO.
S3-9

EQUIPMENT CABINET: 05-0935 US 401-NC 42-NC 55 (N MAIN ST) & SUNSET LAKE RD /PURFOY RD
SEE: SCP-13



LEGEND

COLOR CODE TIA/EIA 598-B		X = FUSION SPLICE INDIVIDUAL FIBER
(1) BLUE	(7) RED	EXPRESS ENTIRE BUFFER TUBE /FIBERS THROUGH WITHOUT CUTTING
(2) ORANGE	(8) BLACK	BUFFER SPLICE
(3) GREEN	(9) YELLOW	EXISTING BUFFER TUBE /FIBERS. DO NOT MODIFY EXISTING SPLICES OR EXPRESSED FIBERS.
(4) BROWN	(10) VIOLET	
(5) SLATE	(11) ROSE	
(6) WHITE	(12) AQUA	
C = CAP AND SEAL		

NOTES

- UNUSED FIBERS LEFT COILED AND STORED IN SPLICE TRAY
- UNUSED BUFFER TUBES LEFT COILED AND STORED IN SPLICE ENCLOSURE
- EDGE SWITCH CONFIGURATIONS ARE GENERIC. CONTRACTOR IS RESPONSIBLE FOR DETERMINING/ENSURING THE PROPER TERMINATIONS.



1616 EAST MILLBROOK ROAD, SUITE 160
RALEIGH, NORTH CAROLINA 27609
(919) 876-6888 NCBEES #F-0326

DOCUMENT NOT CONSIDERED FINAL UNLESS ALL SIGNATURES COMPLETED

	Fuquay-Varina Signal System Fiber-Optic Splicing Details		
	Division 5 Wake County Fuquay-Varina		
PLAN DATE: August 2022	REVIEWED BY: BJ Slocum		
PREPARED BY: JT Stiff	REVIEWED BY: MB Toth		
SCALE: N/A	REVISIONS	INIT.	DATE
750 Greenfield Parkway, Garner, NC 27529			

16-MAR-2023 17:09
 p:\7\305003634\wshk\ins.com\ATKMANC01\Documents\Roads and Bridges\Projects\100063268 Fuquay Varina\Task 11_Comms\Splice-19.dgn
 S:\114685 AT US491089